



McKechnie
Transforming Aluminium

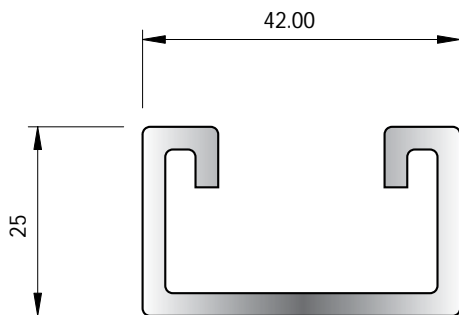
Miscellaneous



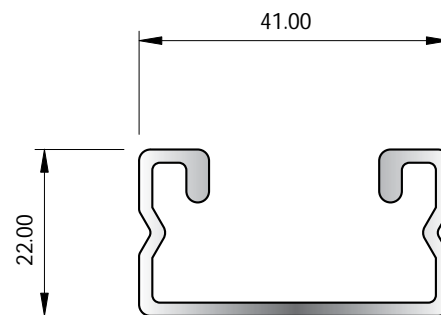
Cable Ladders Group **Misc 1**



McKechnie
Transforming Aluminium



SECTION No. 5088
0.894 kg/m
P = 226



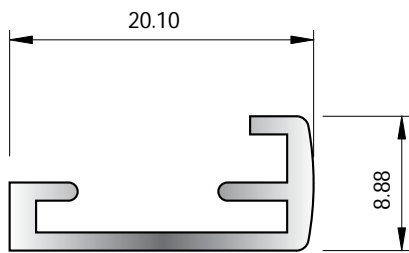
SECTION No. 8774*
0.537 kg/m
P = 211

* SOME SPECIAL TOLERANCES APPLY

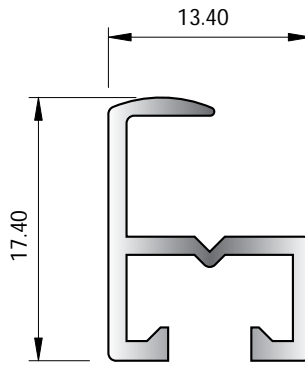
Picture Frames Group **Misc 2.1**



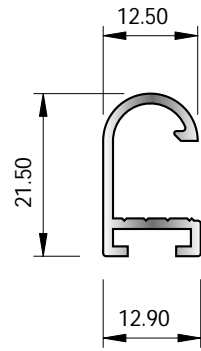
McKechnie
Transforming Aluminium



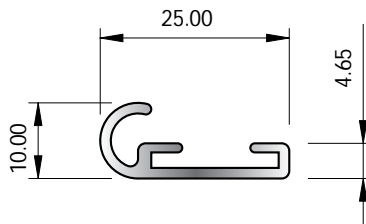
SECTION No. 9165*
2 x ACTUAL SIZE
0.144 kg/m
P = 82



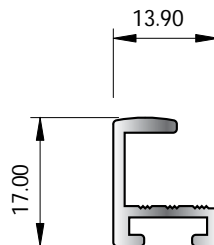
SECTION No. K318*
2 x ACTUAL SIZE
0.157 kg/m
P = 100



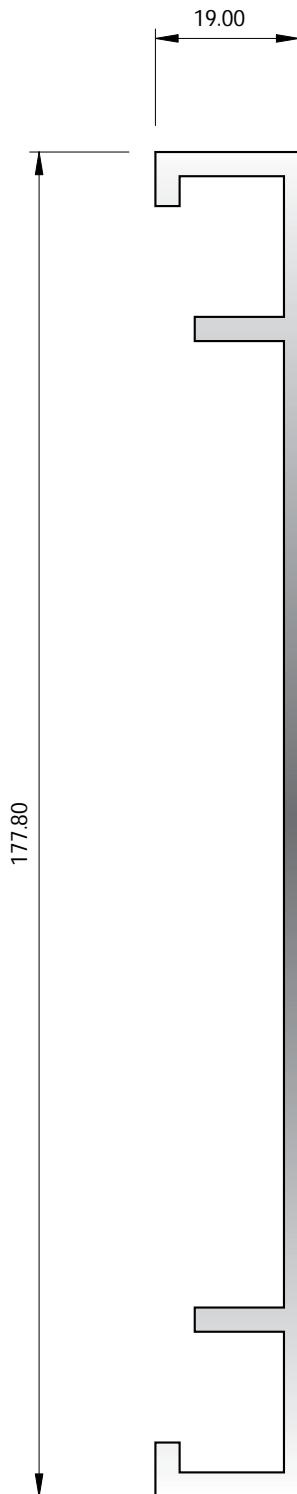
SECTION No. 9339
0.186 kg/m
P = 106



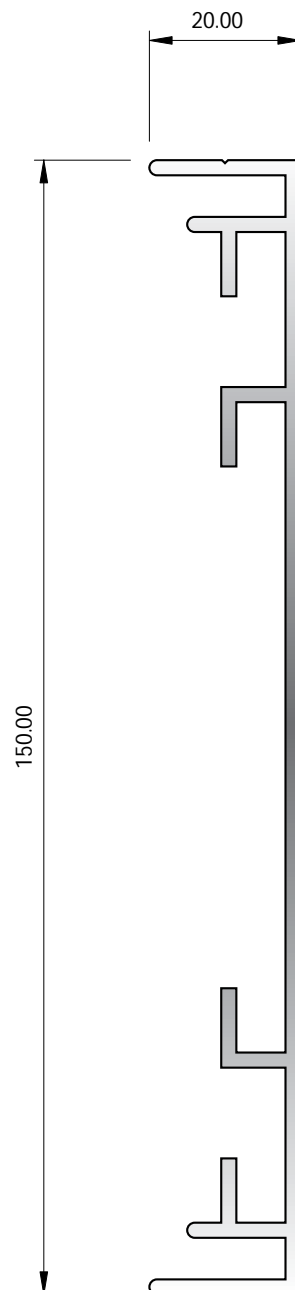
SECTION No. 9298
0.186 kg/m
P = 98



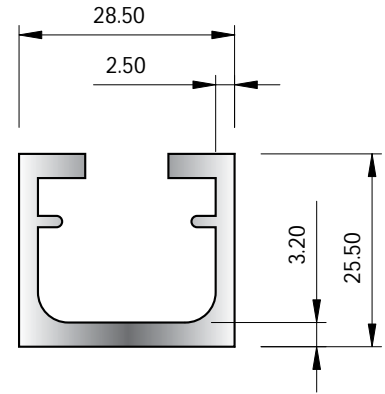
SECTION No. 7347
0.184 kg/m
P = 92



SECTION No. N065
1.532 kg/m
P = 491



SECTION No. X540
1.418 kg/m
P = 529



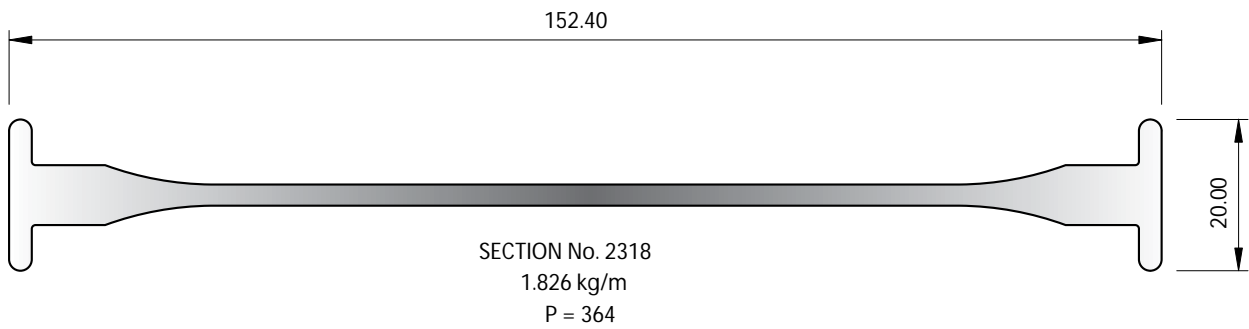
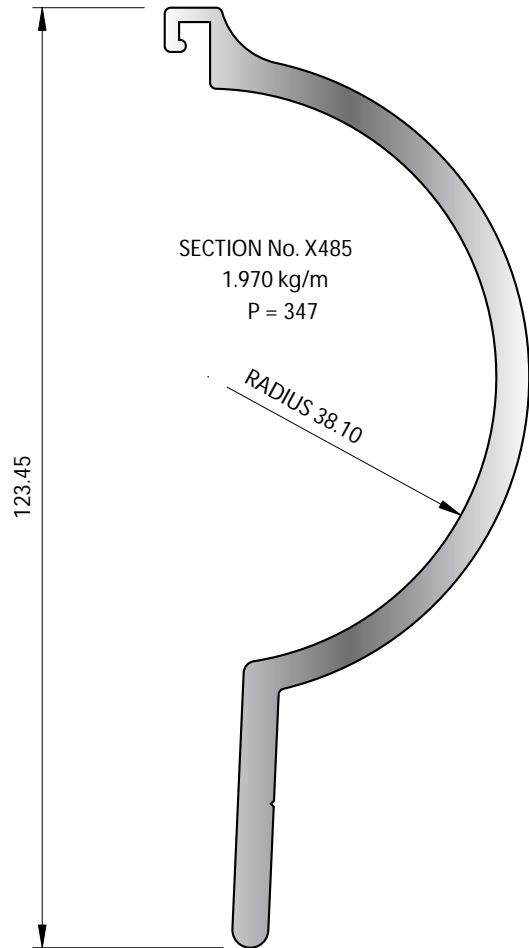
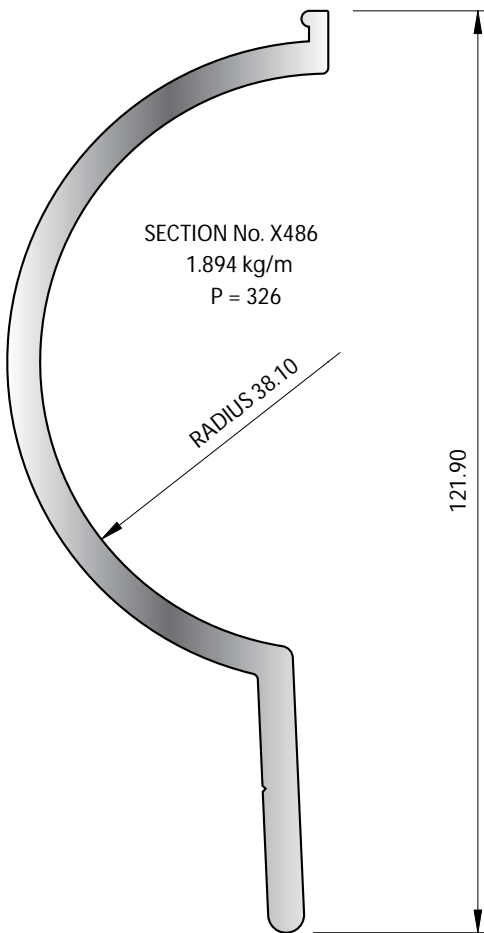
SECTION No. 9372
0.690 kg/m
P = 186

* SOME SPECIAL TOLERANCES APPLY



McKechnie
Transforming Aluminium

Signs Group **Misc 3.2**



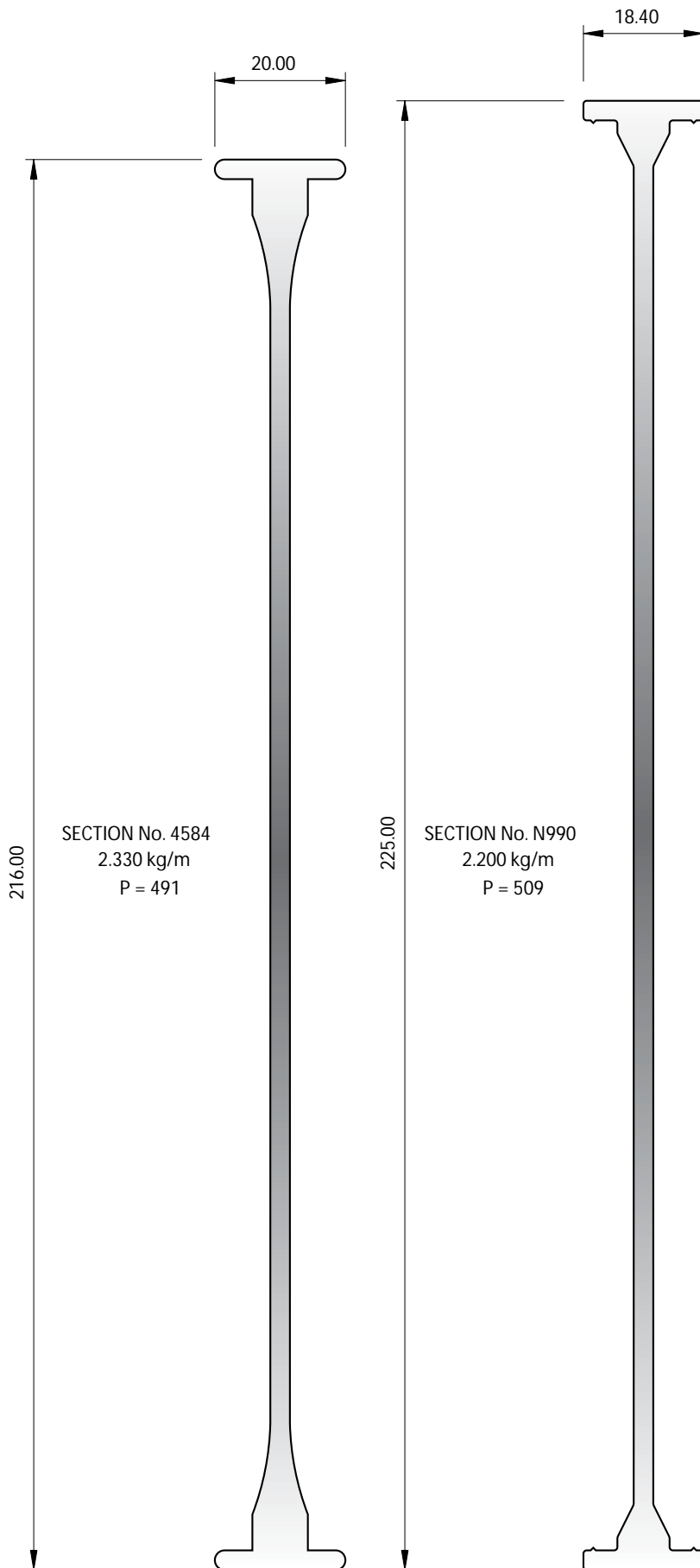
Signs Group **Misc 3.2**

* SOME SPECIAL TOLERANCES APPLY

Signs Group **Misc 3.3**



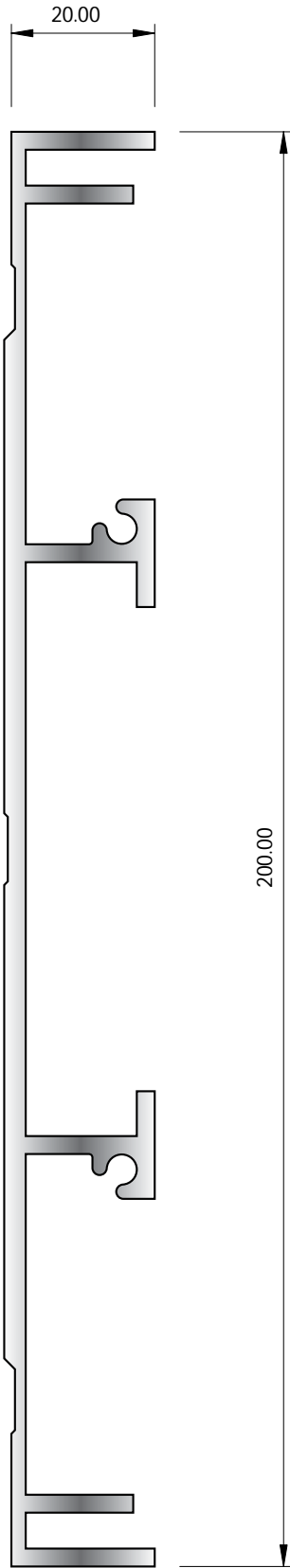
McKechnie
Transforming Aluminium



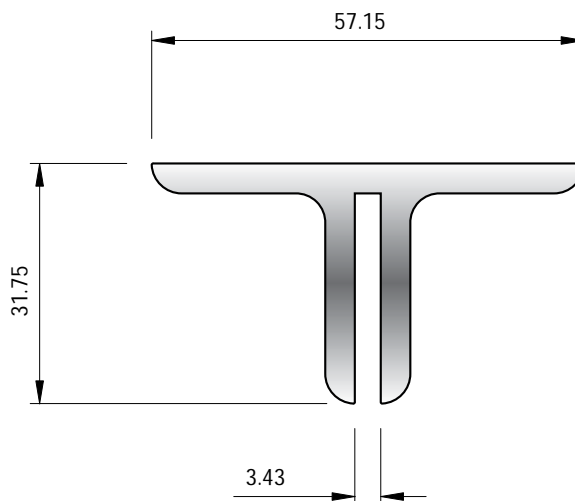


McKechnie
Transforming Aluminium

Signs Group **Misc 3.4**



SECTION No. X541
2.370 kg/m
P = 674



SECTION No. 0656
1.250 kg/m
P = 219

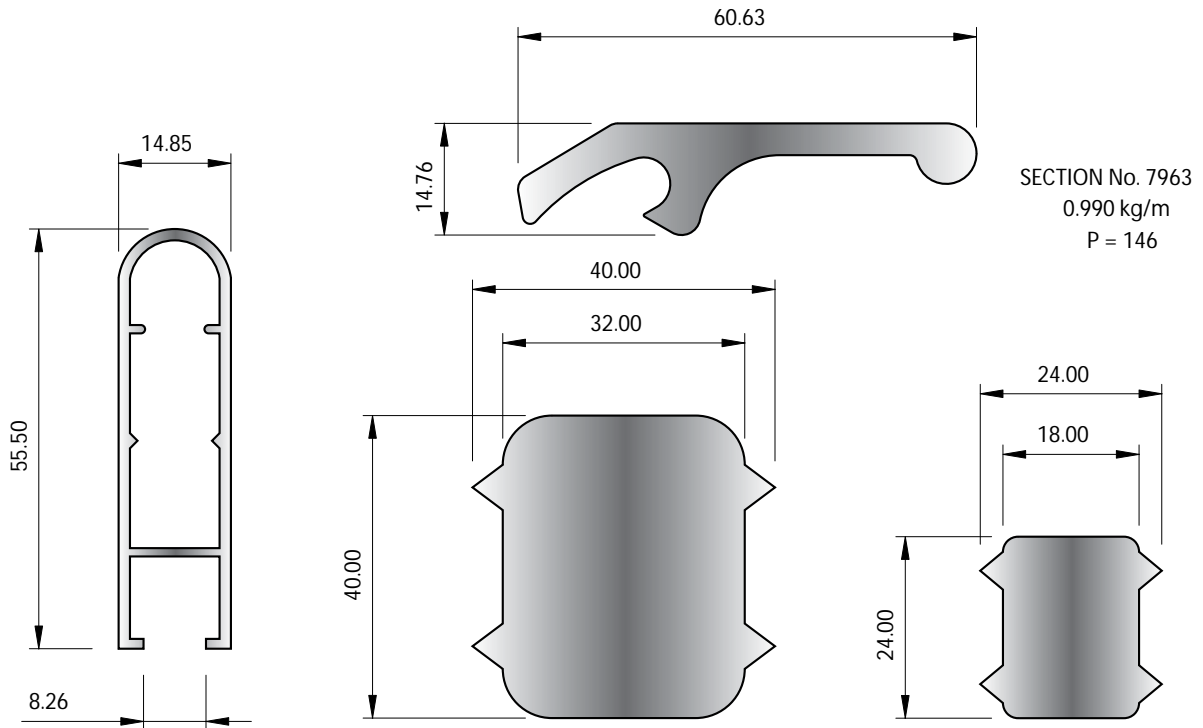
* SOME SPECIAL TOLERANCES APPLY

Signs Group **Misc 3.4**

Miscellaneous Group Misc 4.1



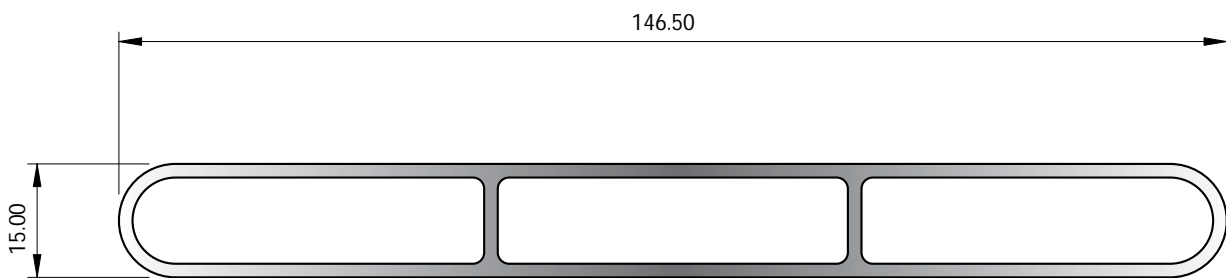
McKechnie
Transforming Aluminium



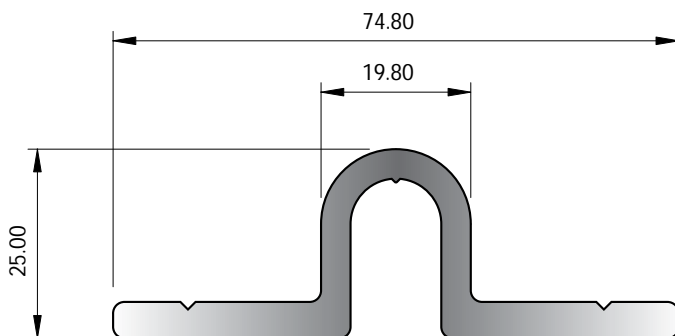
SECTION No. 4977
0.520 kg/m
Ext. P = 165

SECTION No. 8251
3.487 kg/m
P = 143

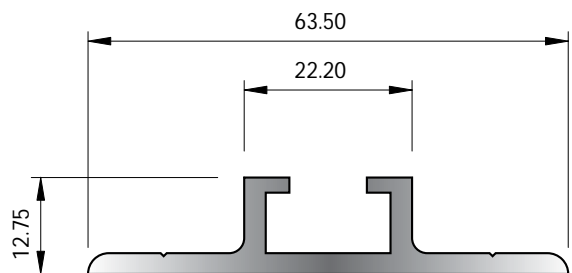
SECTION No. 8250
1.238 kg/m
P = 92



SECTION No. N592
1.607 kg/m
Ext. P = 310



SECTION No. Z279
1.289 kg/m
P = 225



SECTION No. 6561
0.653 kg/m
P = 181

* SOME SPECIAL TOLERANCES APPLY