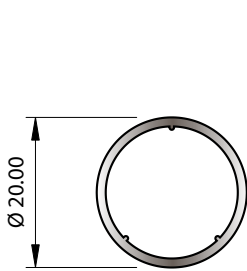
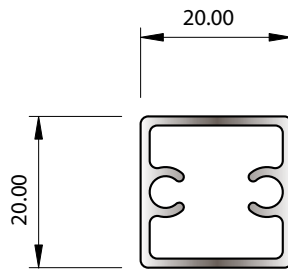


## Fence & Balustrade

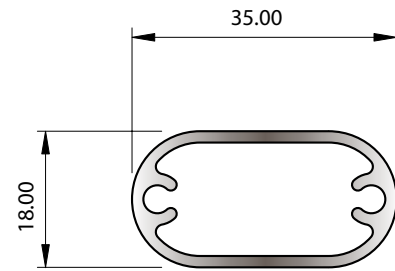
SECTION NUMBER	SHAPE	MASS kg/m	OUTSIDE PERIM	LENGTH
8333K	BASE PLATE	-	-	-
31292	GATE PLANK	0.968	197.12	5.00
G452	LOUVRE	0.438	211.29	5.60
1229	LOUVRE	0.630	295.78	5.00
32044	LOUVRE	0.679	183.79	5.00
34509	LOUVRE	0.986	243.41	6.00
32507	LOUVRE	1.453	309.37	5.00
G824	TONGUE & GROOVE PANEL	0.671	214.83	6.00
X534	BALUSTER	0.430	90.55	5.00
35579	FENCING TUBE	0.193	62.83	5.00
J412	BALUSTER	0.314	78.30	5.00
36089	50MM BOX JOINTER	1.010	252.82	5.00
36437	LOUVRE FIXING BRACKET	0.695	211.58	5.00
Z357	FENCING RECTANGLE HOLLOW	0.500	156.85	5.00



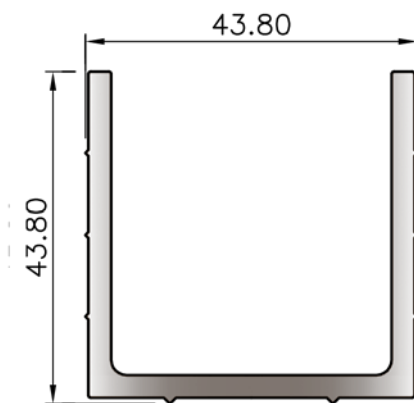
SECTION No. 35579  
0.193 kg/m  
P = 62.83



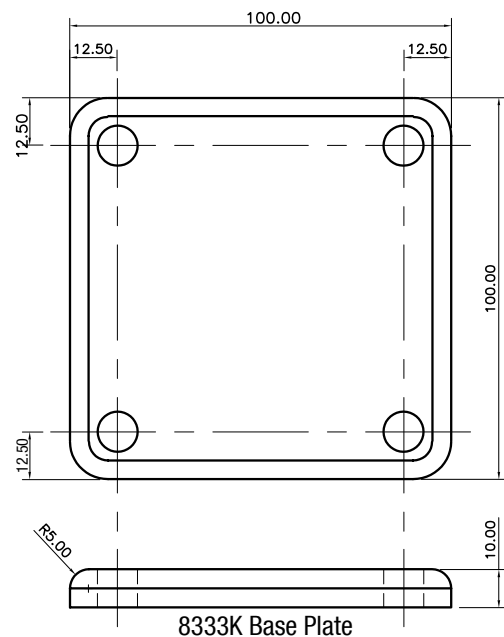
SECTION No. J412  
0.314 kg/m  
P = 78.30



SECTION No. X534  
0.430 kg/m  
P = 90.55



SECTION No. 36089  
1.010 kg/m  
P = 252.82

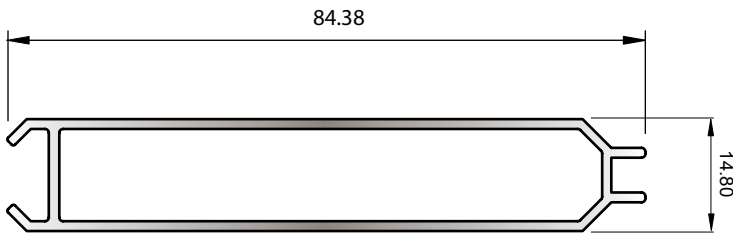
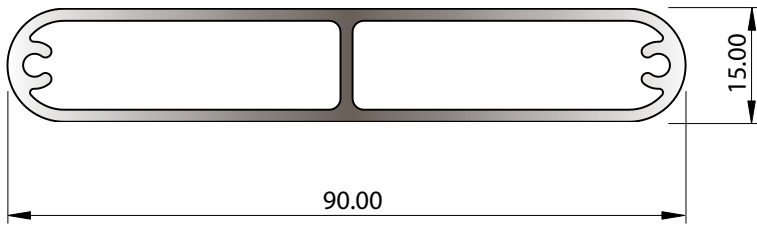


8333K Base Plate

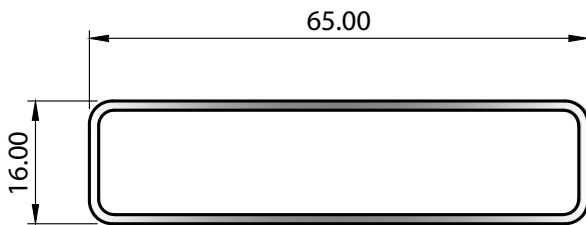
For NZ based customers. All lengths are stocked in 6060 T5 - mill finish - 5m lengths (unless specified)  
All peripheries less than 100mm are deemed 100mm for surface finish purpose

# Fence & Balustrade

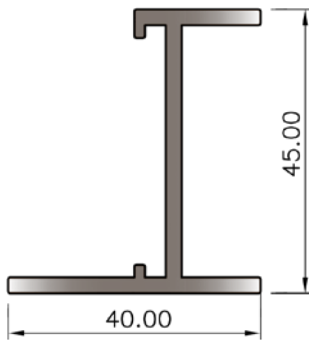
SECTION No. 31292  
0.968 kg/m  
P = 197.12



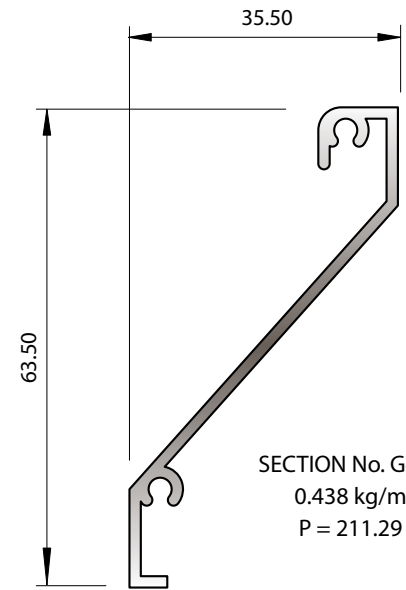
SECTION No. G824  
0.671 kg/m  
P = 214.83



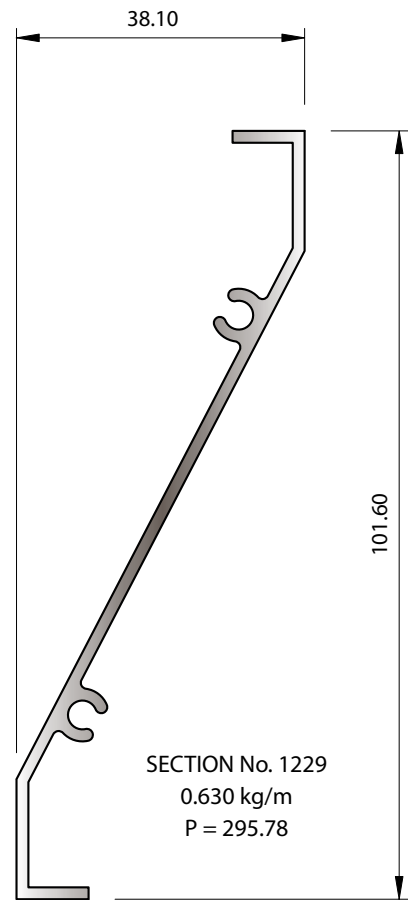
SECTION No. Z357  
0.500 kg/m  
P = 156.85



SECTION No. 36437  
0.695 kg/m  
P = 211.58



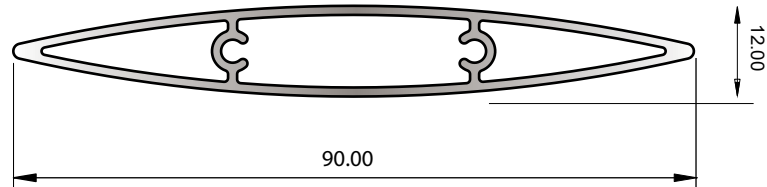
SECTION No. G452  
0.438 kg/m  
P = 211.29



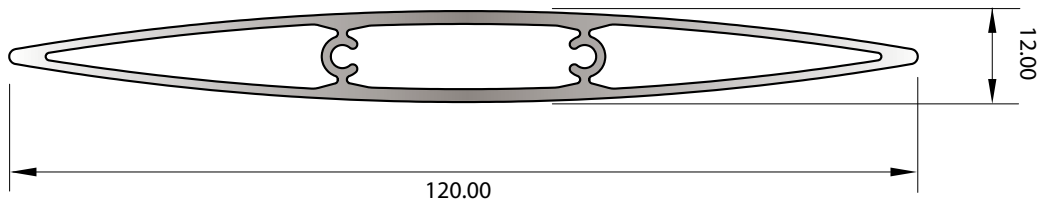
SECTION No. 1229  
0.630 kg/m  
P = 295.78

For NZ based customers. All lengths are stocked in 6060 T5 - mill finish - 5m lengths (unless specified)  
All peripheries less than 100mm are deemed 100mm for surface finish purpose

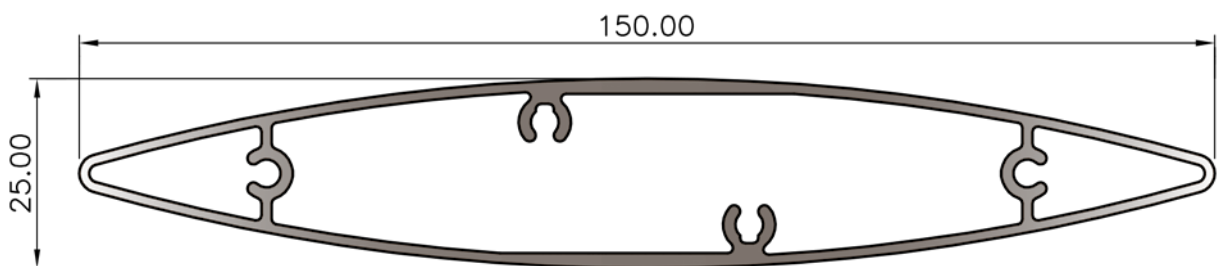
## Fence & Balustrade



SECTION No. 32044  
0.679 kg/m  
P = 183.79



SECTION No. 34509  
0.986 kg/m  
P = 243.41



SECTION No. 32507  
1.453 kg/m  
P = 309.37

For NZ based customers. All lengths are stocked in 6060 T5 - mill finish - 5m lengths (unless specified)  
All peripheries less than 100mm are deemed 100mm for surface finish purpose