

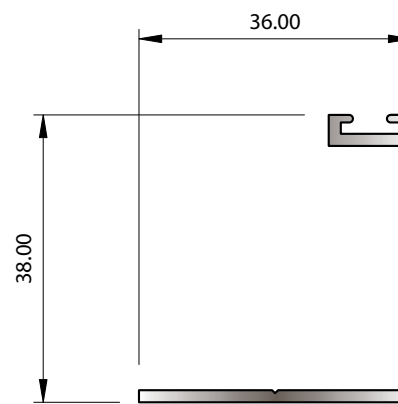
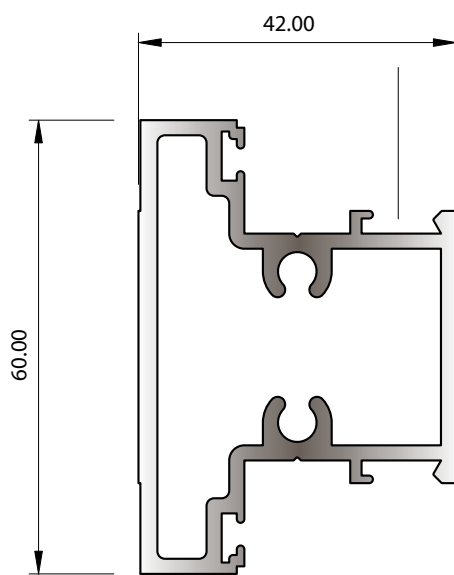
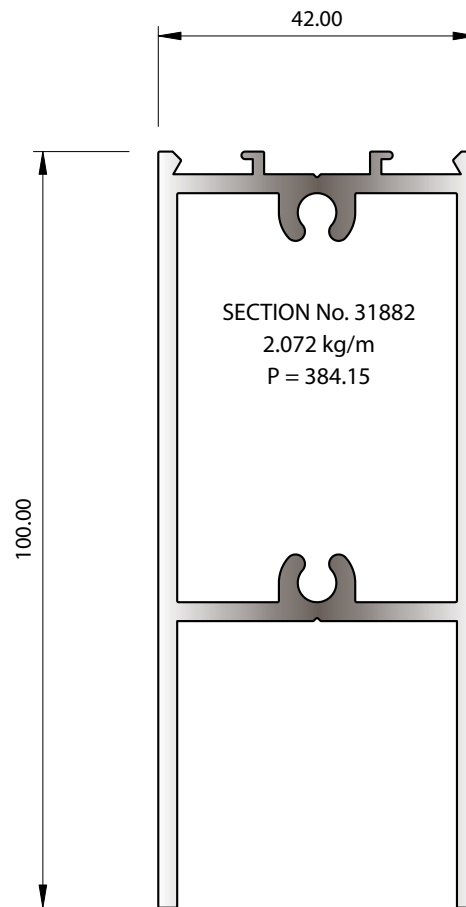
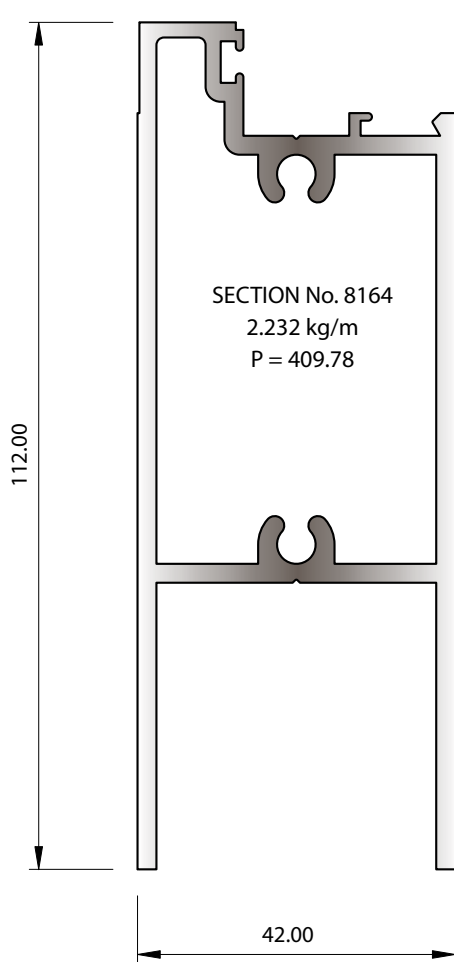
Pacific Commercial Door

SECTION NUMBER	MASS kg/m	OUTSIDE PERIM	LENGTH	FINISH	
				MILL	NAT 12um
0732	1.154	181.00	5.00	✓	✓
0749	1.171	229.00	5.00	✓	
5584	0.987	340.00	5.00	✓	✓
5620	0.484	157.03	5.00	✓	CHCH ONLY
5622	1.299	214.50	5.00	✓	CHCH ONLY
5653	0.166	97.50	5.00	✓	✓
6100	1.961	313.49	5.00	✓	CHCH ONLY
6136 [#]	0.150	72.23	5.00	✓	✓
6350	0.518	127.00	5.00	✓	✓
8163	1.732	292.18	5.00	✓	
8164	2.232	409.78	5.00	✓	
8165	2.285	363.32	5.00	✓	
8166	1.325	260.46	5.00	✓	
8167	0.131	81.99	5.00	✓	
9987	1.617	268.10	5.00	✓	
G249	1.510	331.00	2.80	✓	✓
G249	1.510	331.00	3.60	✓	
G249	1.510	331.00	4.50	✓	✓
G250	1.470	285.12	2.80	✓	✓
G250	1.470	285.12	3.60	✓	
G250	1.470	285.12	4.50	✓	✓
G251	1.400	484.40	5.00	✓	
G419	1.914	436.36	2.80	✓	
G419	1.914	436.36	5.00	✓	
G611	1.998	421.05	2.80	✓	
G611	1.998	421.05	5.00	✓	✓
31882	2.072	384.15	5.00	CHCH ONLY	CHCH ONLY
33143	1.626	247.85	5.00	CHCH ONLY	CHCH ONLY
33445	0.373	177.47	5.00	✓	
32550	0.194	87.28	5.00	✓	
35647	0.250	118.13	5.00	✓	

Also available in 3.0m lengths

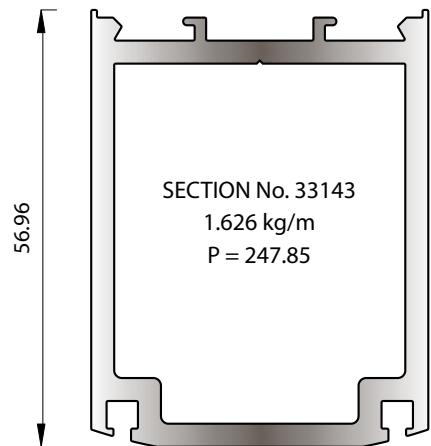
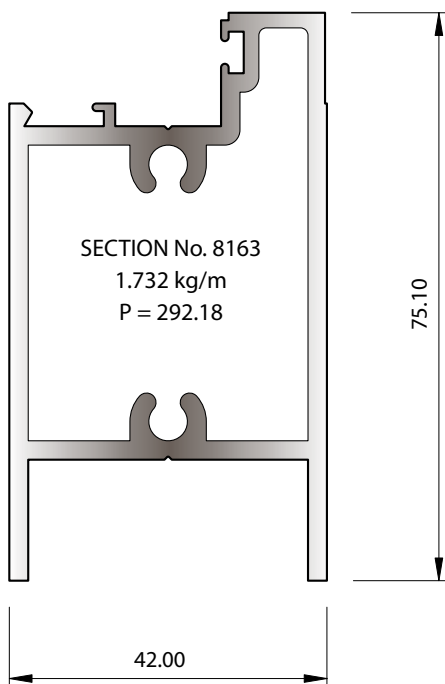
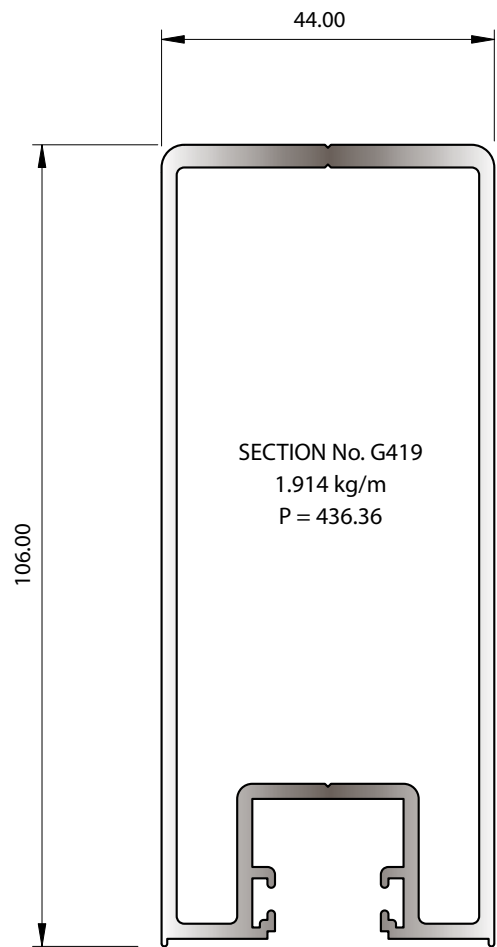
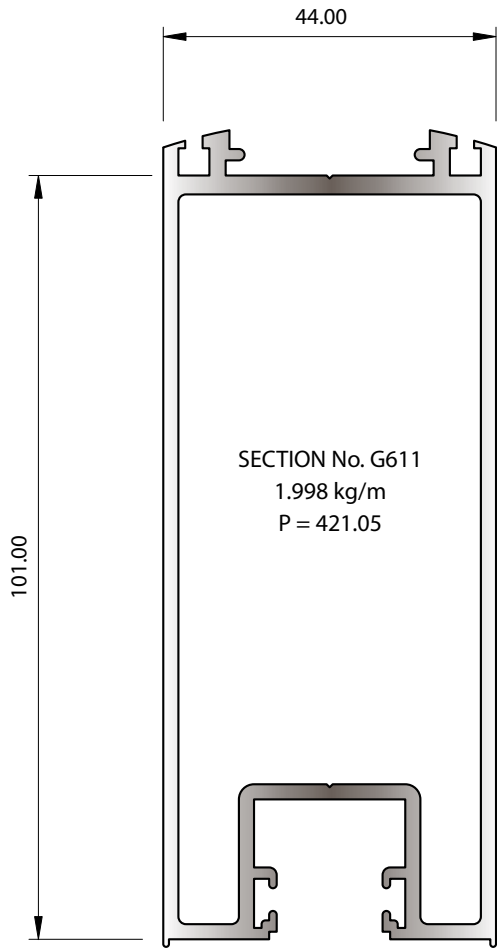
For NZ based customers. All lengths are stocked in 6060 T5 - mill finish - 5m lengths (unless specified)
All peripheries less than 100mm are deemed 100mm for surface finish purpose

Pacific Commercial Door



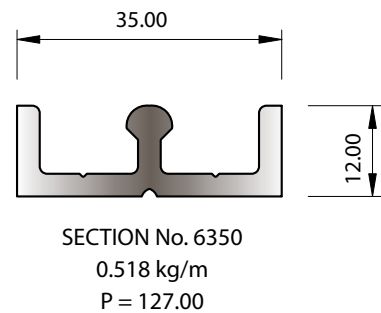
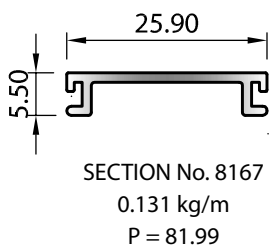
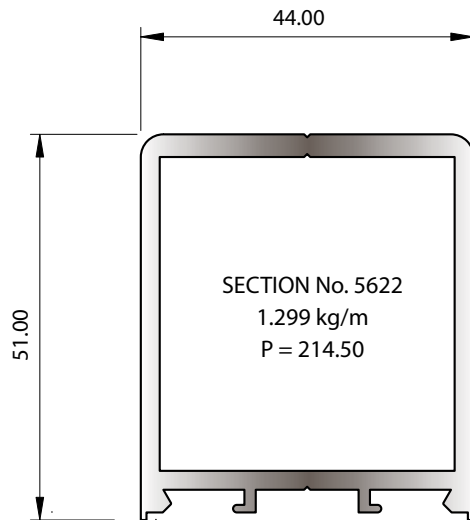
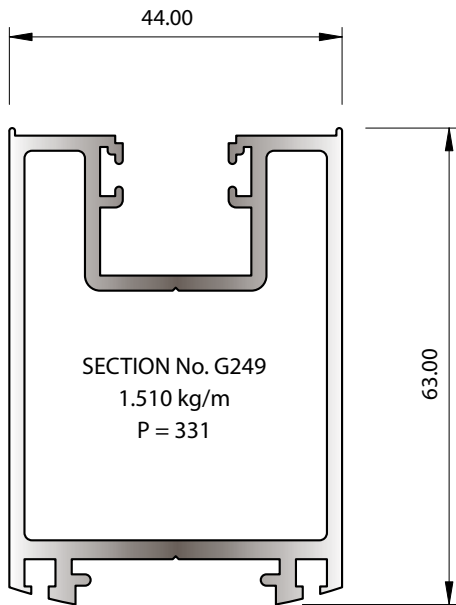
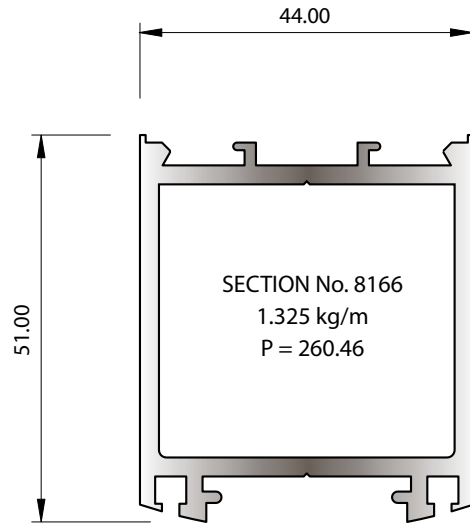
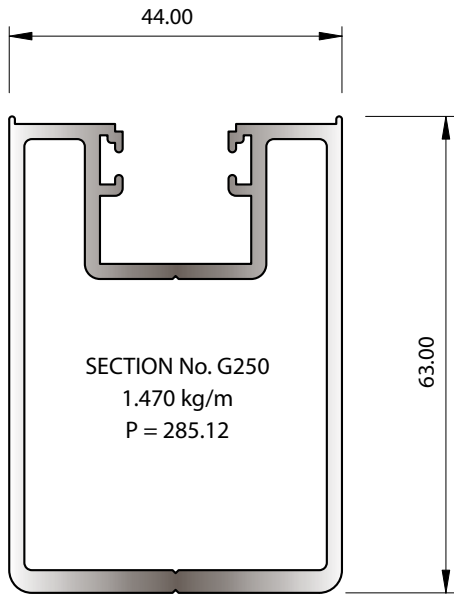
For NZ based customers. All lengths are stocked in 6060 T5 - mill finish - 5m lengths (unless specified)
All peripheries less than 100mm are deemed 100mm for surface finish purpose

Pacific Commercial Door



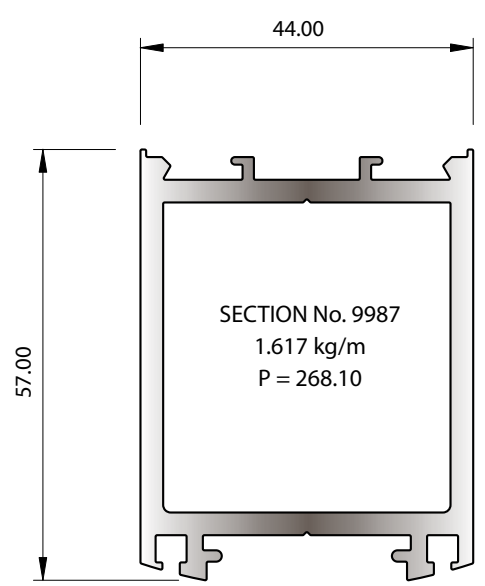
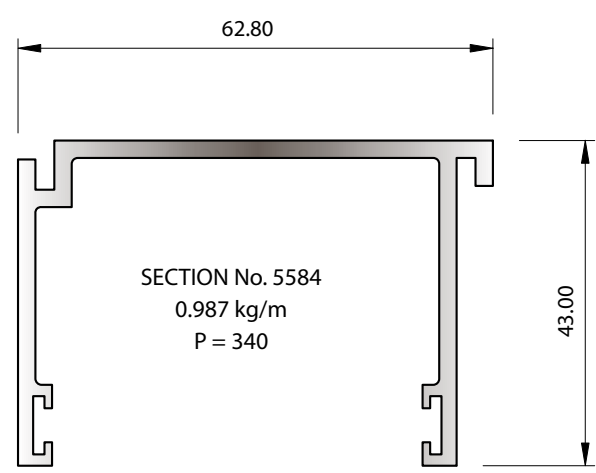
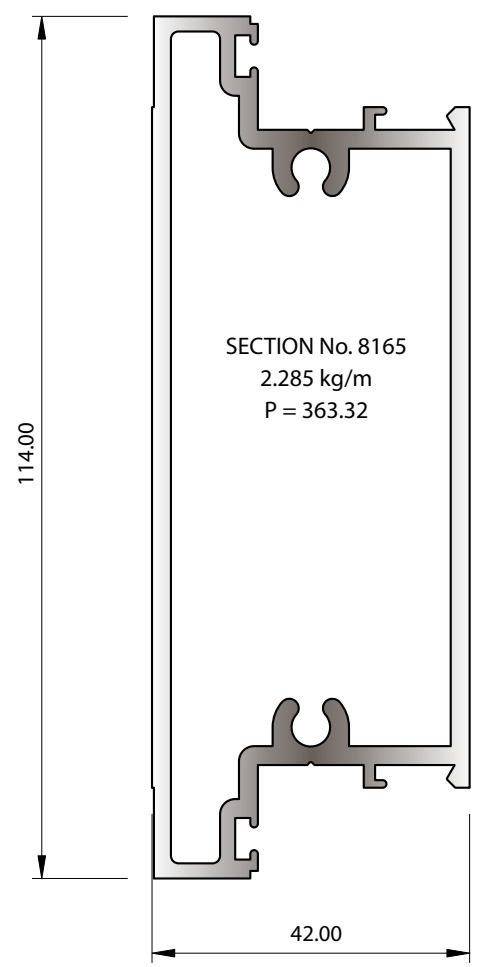
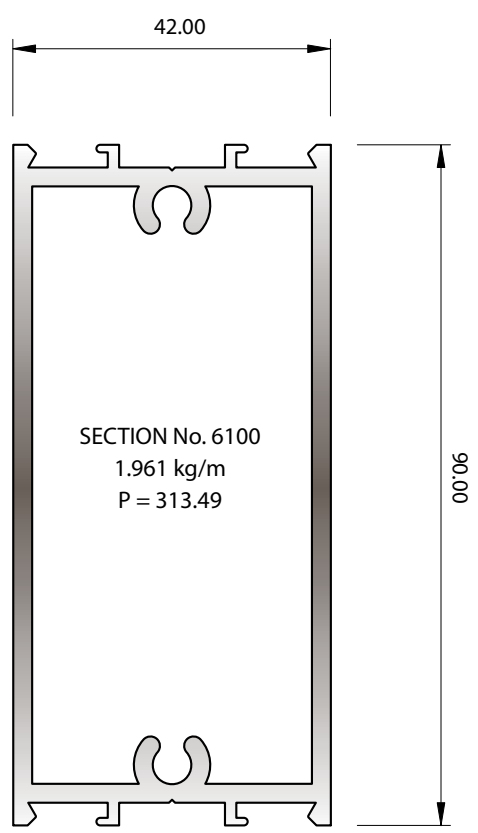
For NZ based customers. All lengths are stocked in 6060 T5 - mill finish - 5m lengths (unless specified)
All peripheries less than 100mm are deemed 100mm for surface finish purpose

Pacific Commercial Door



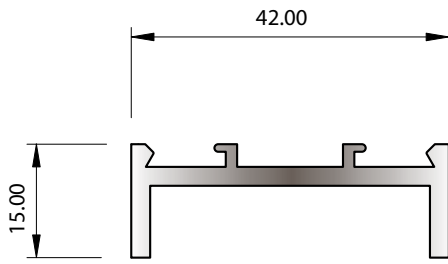
For NZ based customers. All lengths are stocked in 6060 T5 - mill finish - 5m lengths (unless specified)
All peripheries less than 100mm are deemed 100mm for surface finish purpose

Pacific Commercial Door

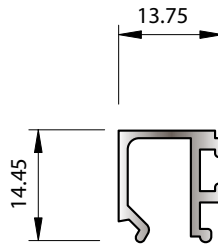


For NZ based customers. All lengths are stocked in 6060 T5 - mill finish - 5m lengths (unless specified)
All peripheries less than 100mm are deemed 100mm for surface finish purpose

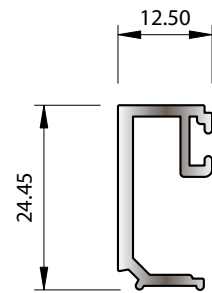
Pacific Commercial Door



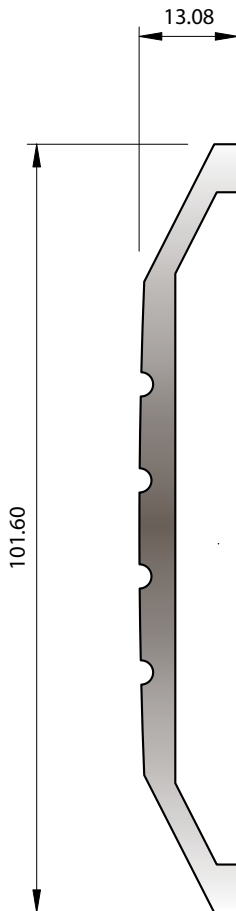
SECTION No. 5620
0.484 kg/m
P = 157.03



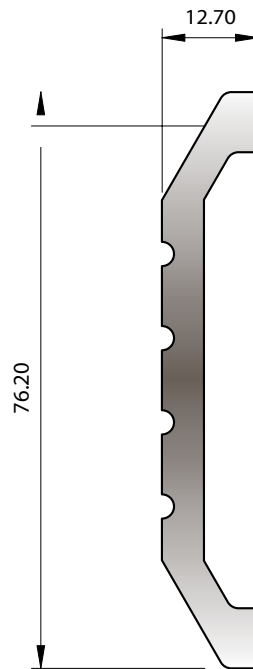
SECTION No. 5653
0.166 kg/m
P = 97.50



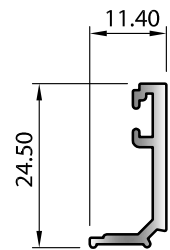
SECTION No. 35647
0.250 kg/m
P = 118.13



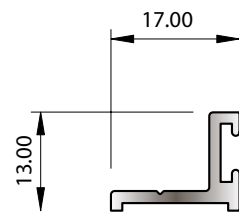
SECTION No. 0749
1.171 kg/m
P = 229



SECTION No. 0732
1.154 kg/m
P = 181



SECTION No. 32550
0.194 kg/m
P = 87.28



SECTION No. 6136
0.150 kg/m
P = 72.23

For NZ based customers. All lengths are stocked in 6060 T5 - mill finish - 5m lengths (unless specified)
All peripheries less than 100mm are deemed 100mm for surface finish purpose