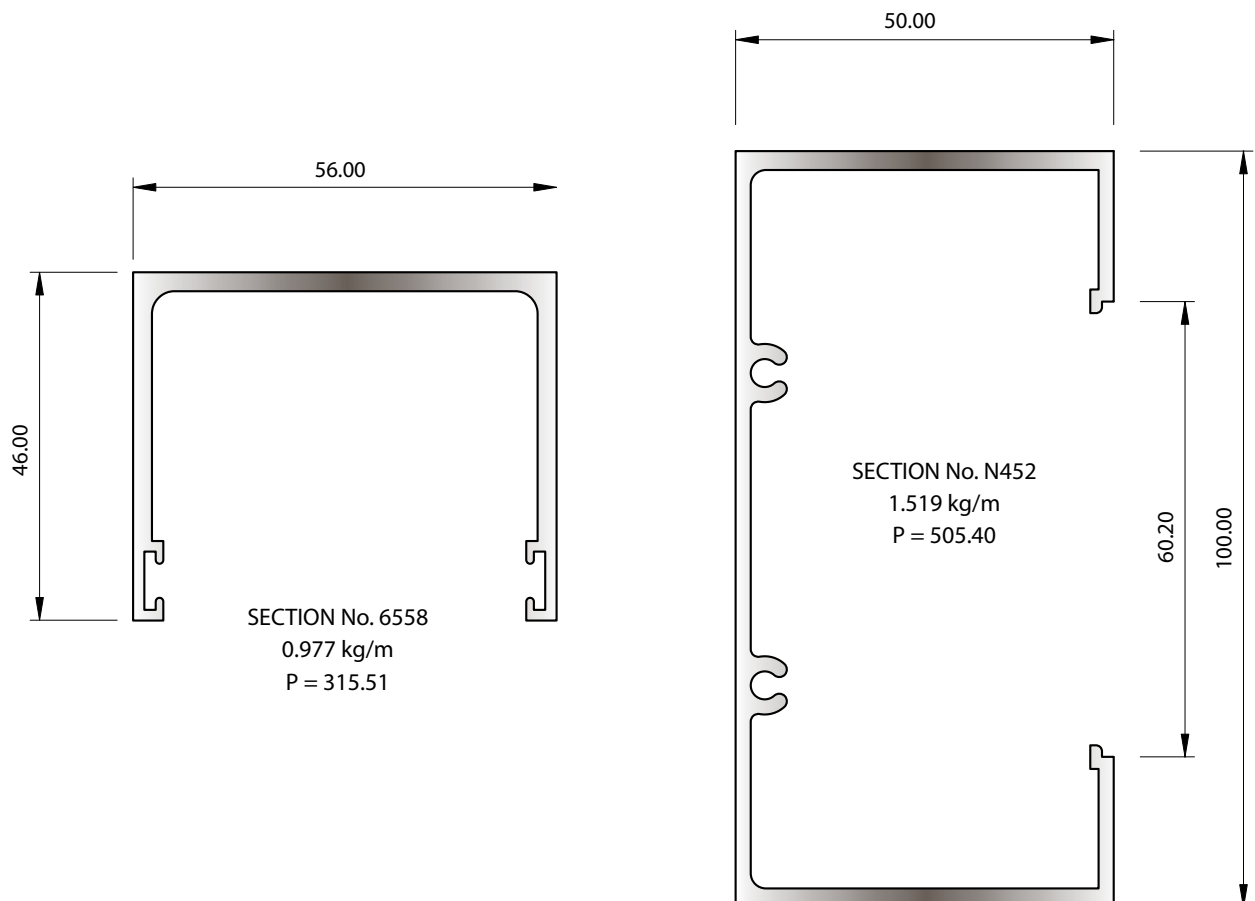


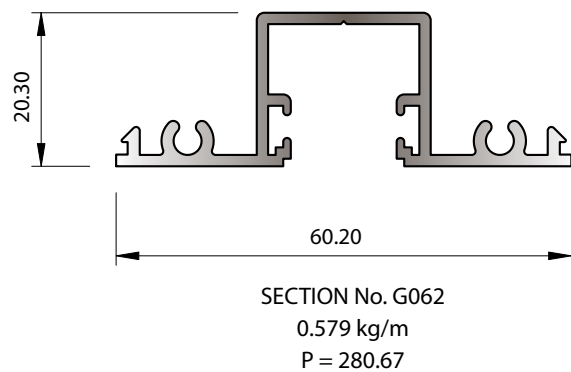
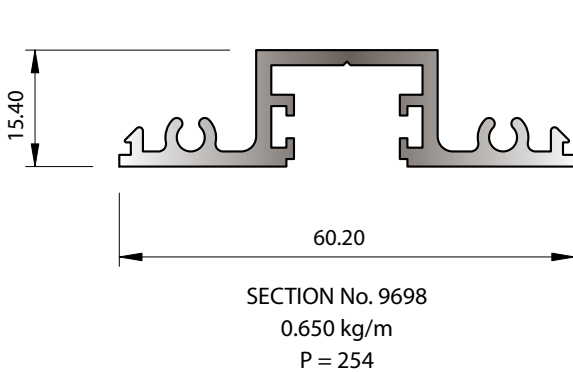
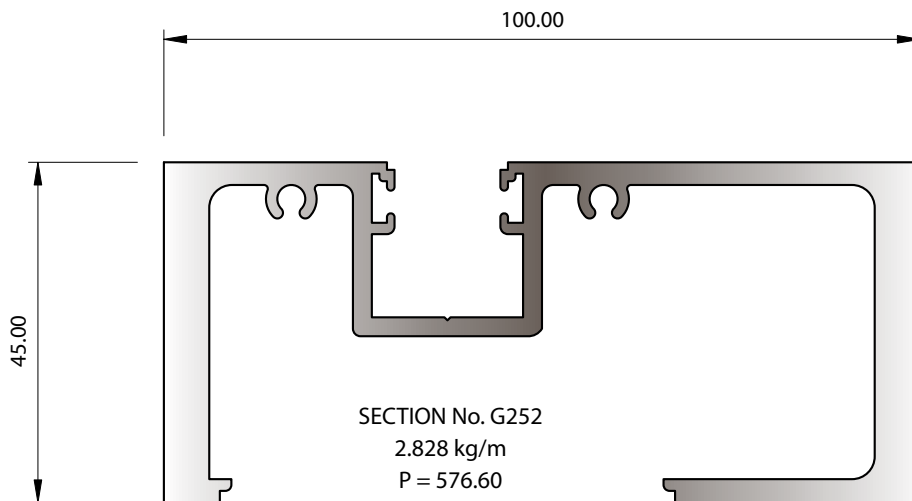
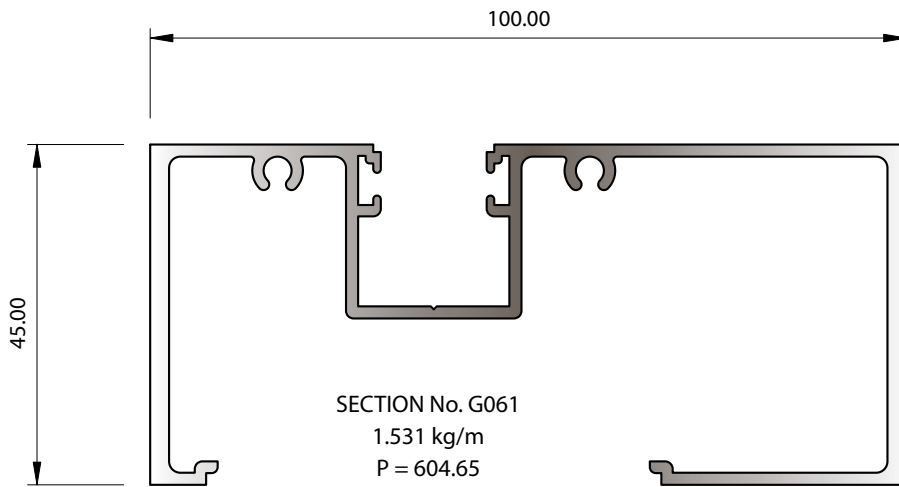
Pacific Shopfront 100 Series

SECTION NUMBER	MASS kg/m	OUTSIDE PERIM	LENGTH	FINISH	
				MILL	NAT 12µm
4969	0.703	329.25	5.00	✓	
5581	0.429	181.58	5.00	✓	✓
5706	0.126	77.00	5.00	✓	✓
7757	0.384	199.13	5.00	✓	
9698	0.650	254.00	5.00	✓	
9699	2.914	311.40	5.00	✓	
9944	2.596	749.11	6.00	✓	CHCH ONLY
30299	0.399	212.14	5.00	CHCH ONLY	CHCH ONLY
30771	0.511	247.49	5.00	CHCH ONLY	CHCH ONLY
30772	0.380	202.94	5.00	CHCH ONLY	
G060	1.295	513.70	5.00	✓	✓
G061	1.531	604.65	5.00	✓	✓
G061	1.531	604.65	6.00	✓	CHCH ONLY
G062	0.579	280.67	5.00	✓	✓
G062	0.579	280.67	6.00	✓	✓
G252	2.828	576.60	5.00	✓	
N452	1.519	505.40	5.00	✓	
6558	0.977	315.51	5.00	✓	



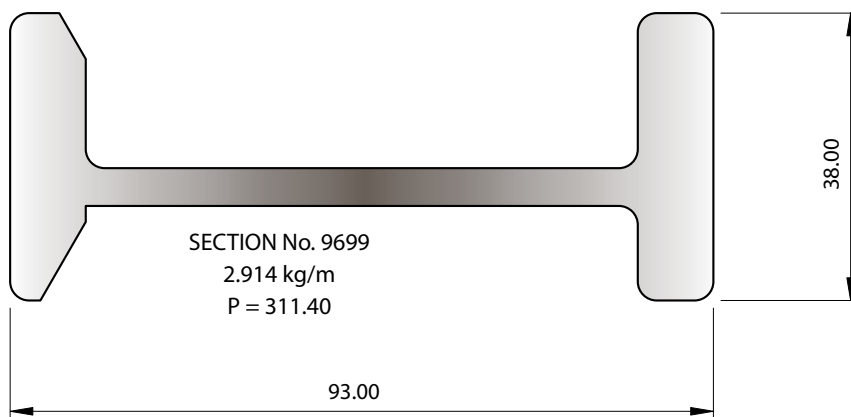
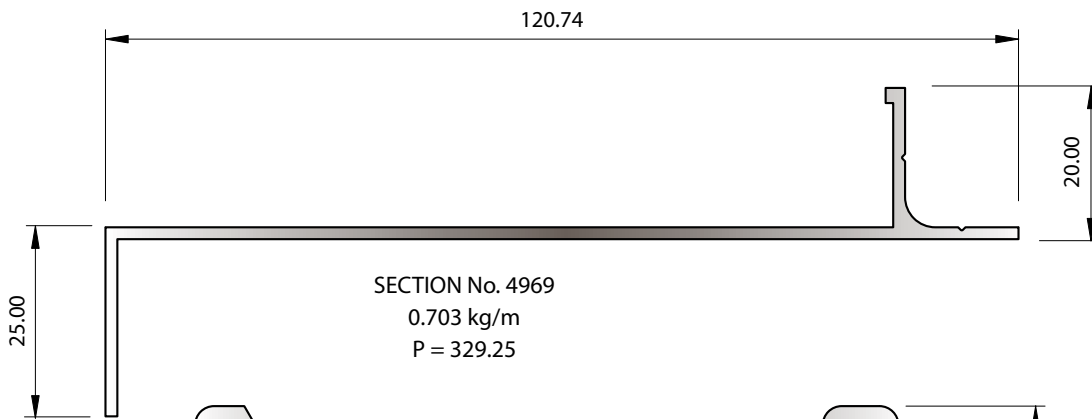
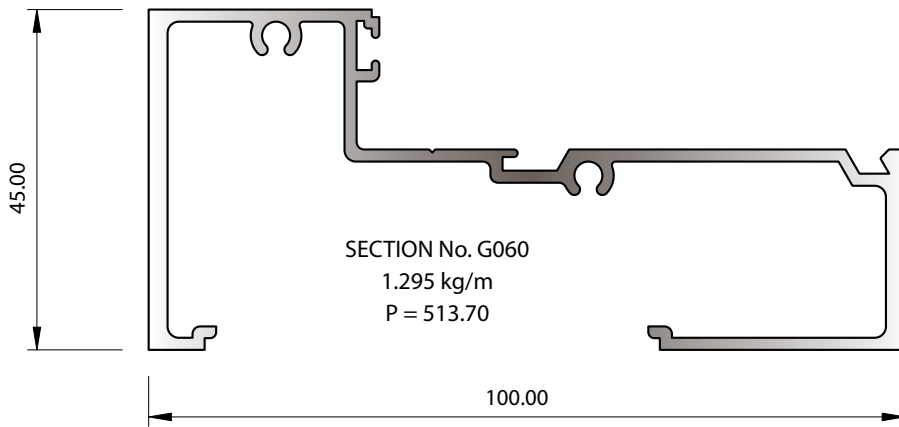
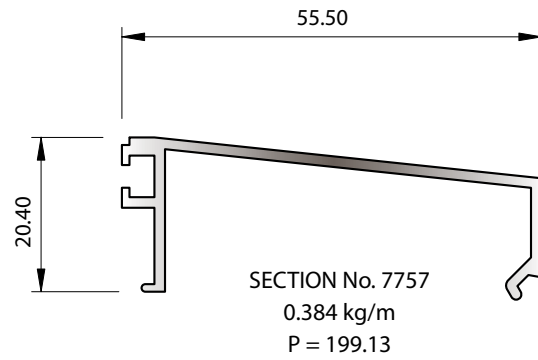
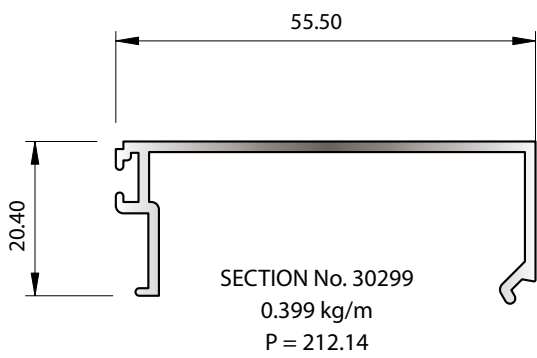
For NZ based customers. All lengths are stocked in 6060 T5 - mill finish - 5m lengths (unless specified)
All peripheries less than 100mm are deemed 100mm for surface finish purpose

Pacific Shopfront 100 Series



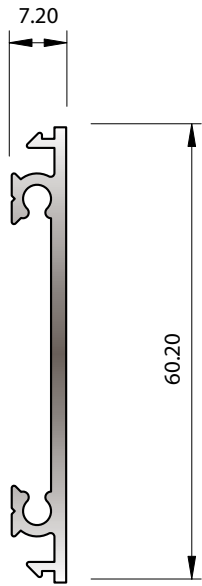
For NZ based customers. All lengths are stocked in 6060 T5 - mill finish - 5m lengths (unless specified)
All peripheries less than 100mm are deemed 100mm for surface finish purpose

Pacific Shopfront 100 Series

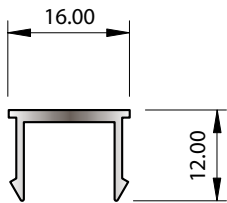


For NZ based customers. All lengths are stocked in 6060 T5 - mill finish - 5m lengths (unless specified)
All peripheries less than 100mm are deemed 100mm for surface finish purpose

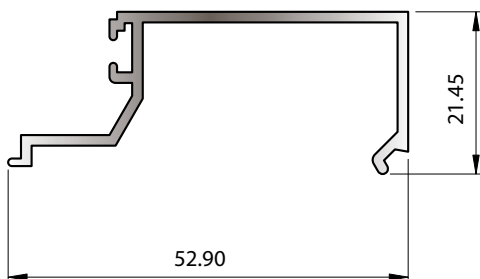
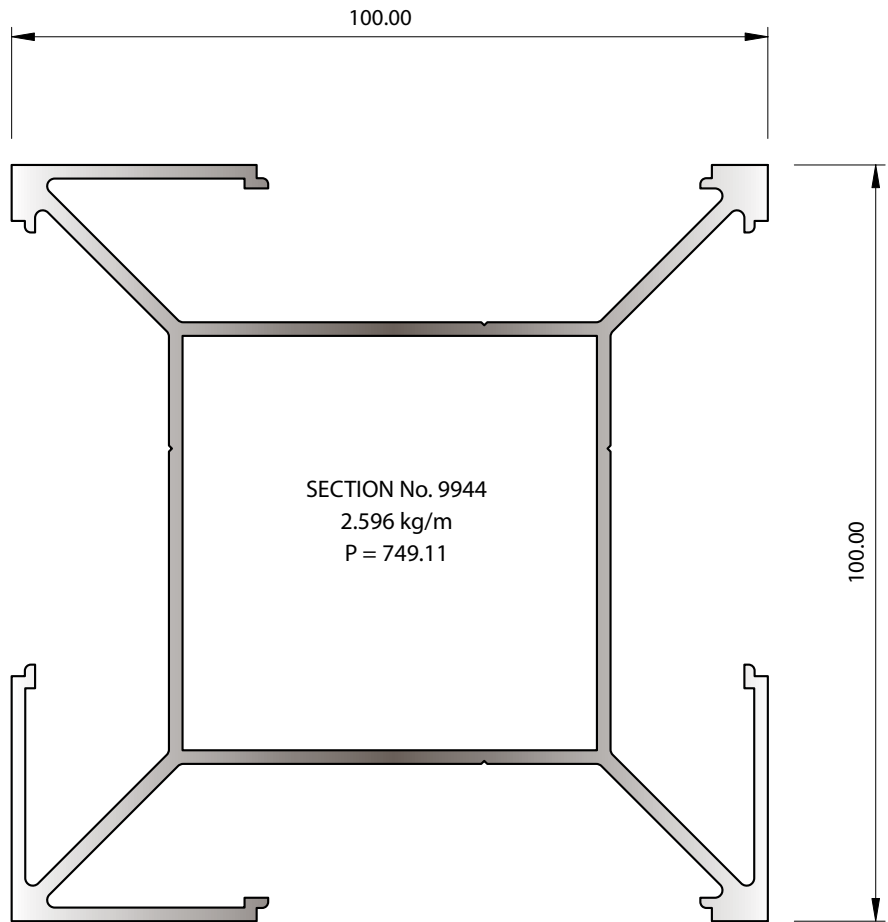
Pacific Shopfront 100 Series



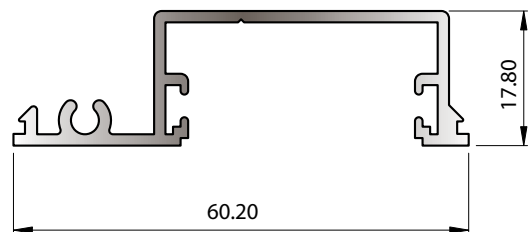
SECTION No. 5581
0.429 kg/m
P = 181.58



SECTION No. 5706
0.126 kg/m
P = 77.00



SECTION No. 30772
0.380 kg/m
P = 202.94



SECTION No. 30771
0.511 kg/m
P = 247.49

For NZ based customers. All lengths are stocked in 6060 T5 - mill finish - 5m lengths (unless specified)
All peripheries less than 100mm are deemed 100mm for surface finish purpose