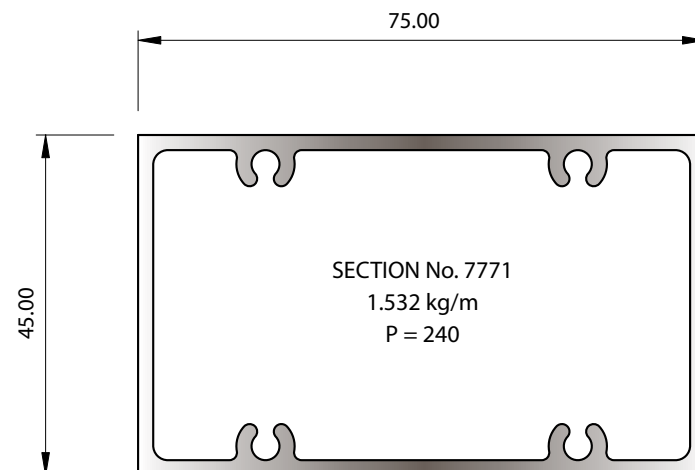
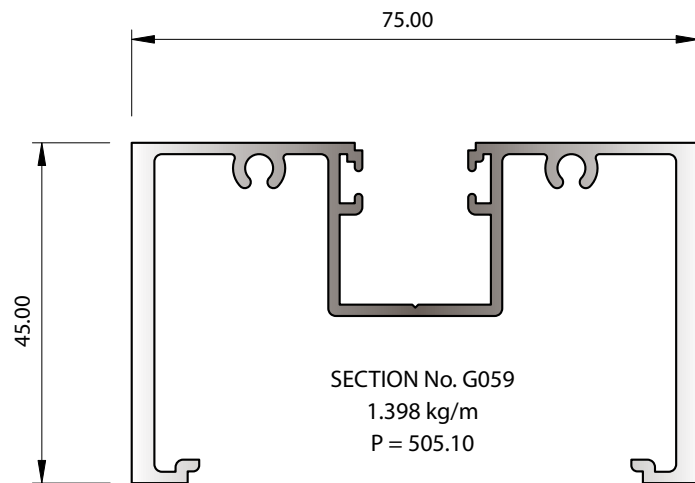
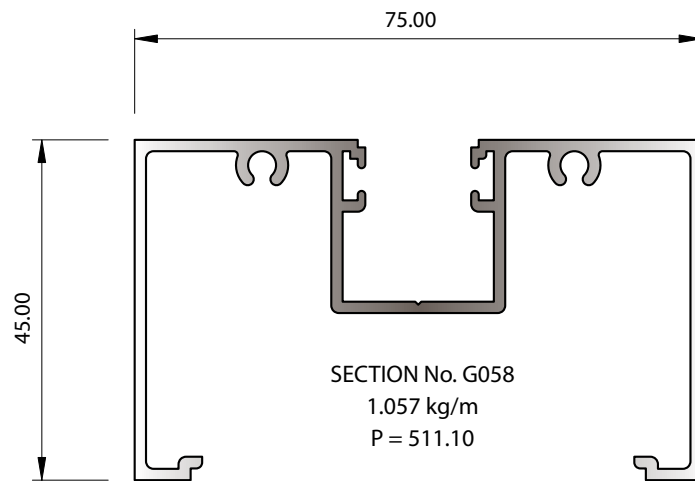


## Pacific Shopfront 75 Series

SECTION NUMBER	MASS kg/m	OUTSIDE PERIM	LENGTH	FINISH	
				MILL	NAT 12um
3882	1.569	563.80	5.00	✓	✓
4895	0.595	278.45	5.00	✓	
5581	0.429	181.58	5.00	✓	✓
5706	0.126	77.00	5.00	✓	
6726	1.066	387.00	5.00	✓	
7752	1.808	318.23	5.00	✓	
7754	0.267	149.88	5.00	✓	
7771	1.532	240.00	5.00	✓	
8136	0.281	157.00	5.00	✓	
30771	0.511	247.49	5.00	✓	✓
G058	1.057	511.10	5.00	✓	
G058	1.057	511.10	6.00	✓	
G059	1.398	505.10	5.00	✓	
G062	0.579	280.67	5.00	✓	✓
G062	0.579	280.67	6.00	✓	✓
G083	0.927	422.42	5.00	✓	

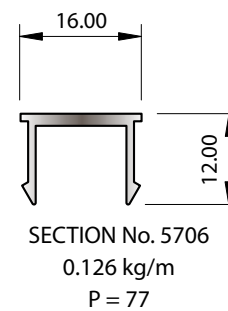
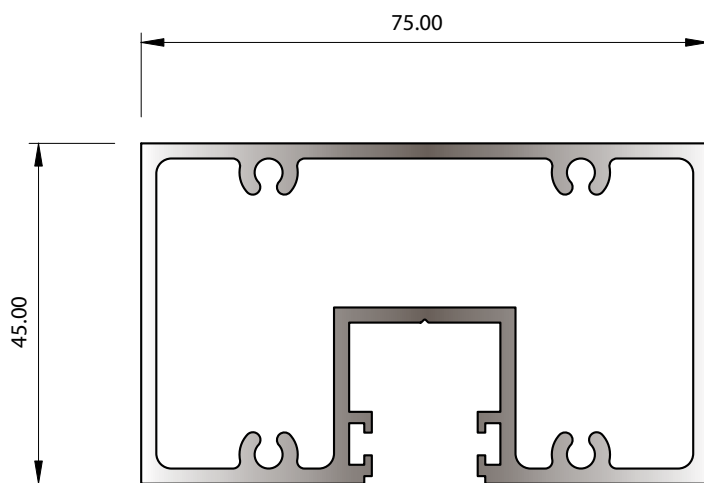
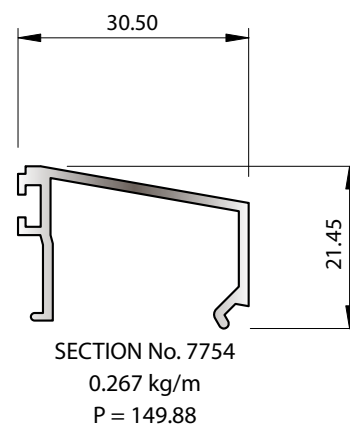
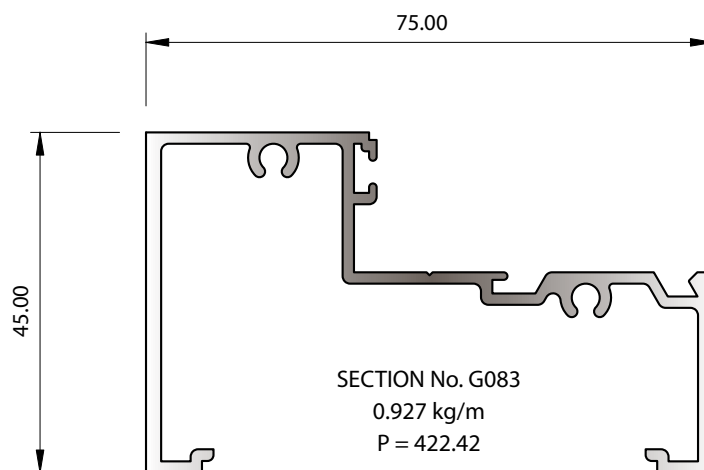
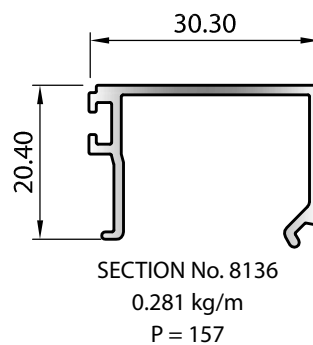
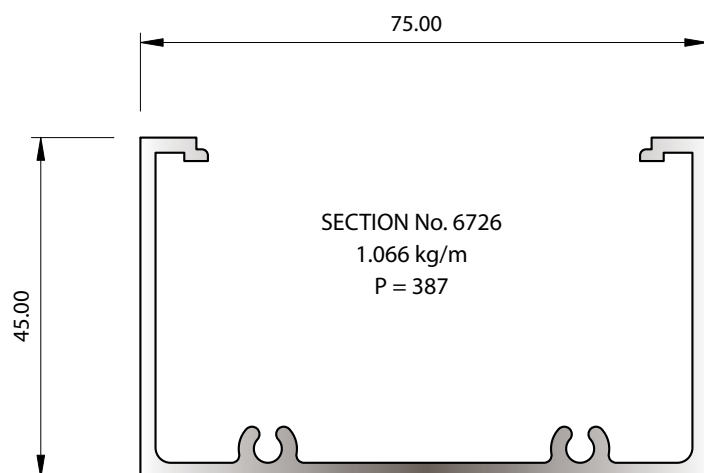
For NZ based customers. All lengths are stocked in 6060 T5 - mill finish - 5m lengths (unless specified)  
 All peripheries less than 100mm are deemed 100mm for surface finish purpose

## Pacific Shopfront 75 Series



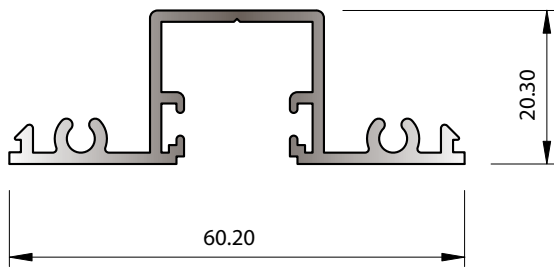
For NZ based customers. All lengths are stocked in 6060 T5 - mill finish - 5m lengths (unless specified)  
All peripheries less than 100mm are deemed 100mm for surface finish purpose

## Pacific Shopfront 75 Series

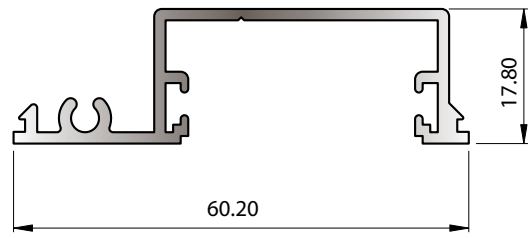


For NZ based customers. All lengths are stocked in 6060 T5 - mill finish - 5m lengths (unless specified)  
All peripheries less than 100mm are deemed 100mm for surface finish purpose

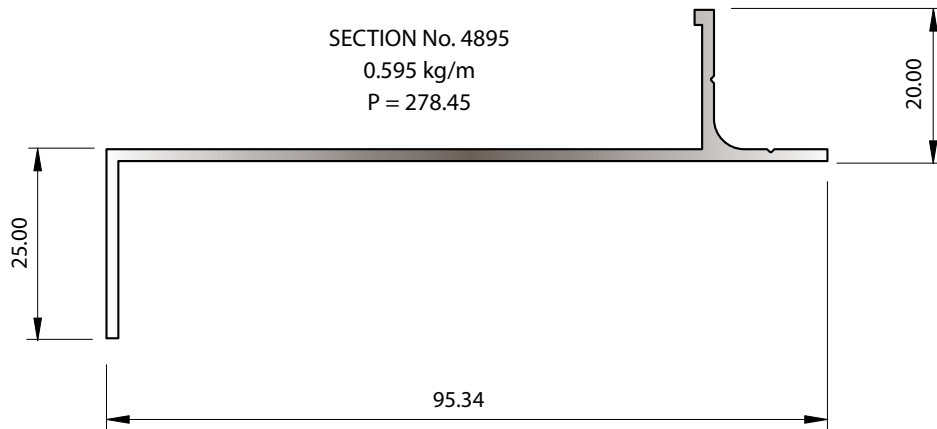
# Pacific Shopfront 75 Series



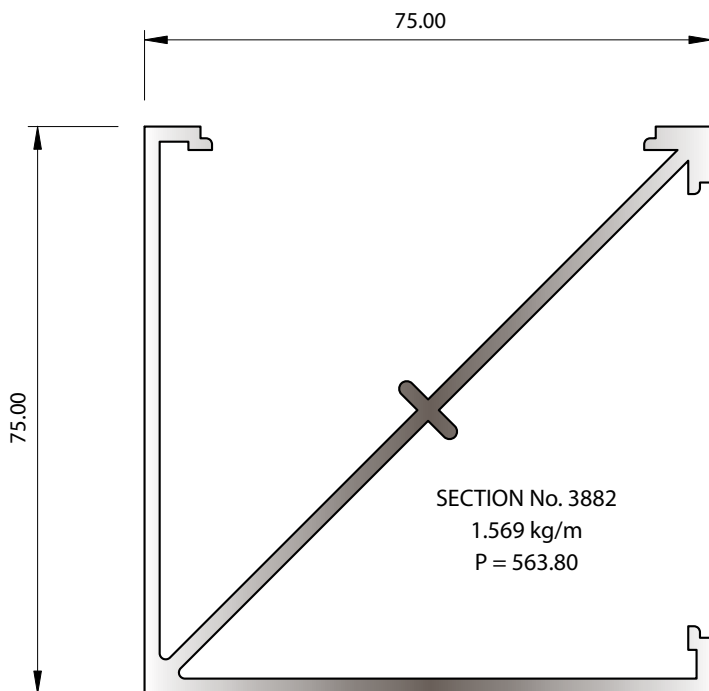
SECTION No. G062  
0.579 kg/m  
P = 280.67  
75/100 SERIES



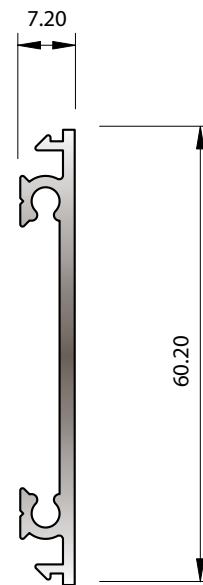
SECTION No. 30771  
0.511 kg/m  
P = 247.49



SECTION No. 4895  
0.595 kg/m  
P = 278.45



SECTION No. 3882  
1.569 kg/m  
P = 563.80



SECTION No. 5581  
0.429 kg/m  
P = 181.58

For NZ based customers. All lengths are stocked in 6060 T5 - mill finish - 5m lengths (unless specified)  
All peripheries less than 100mm are deemed 100mm for surface finish purpose