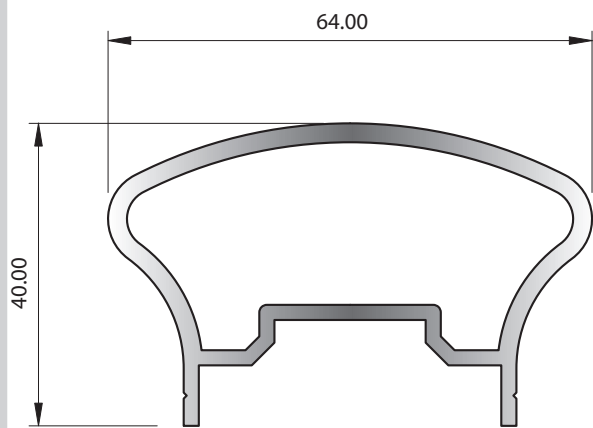
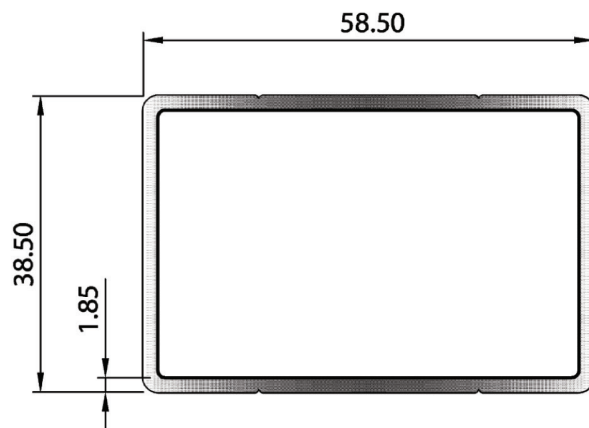


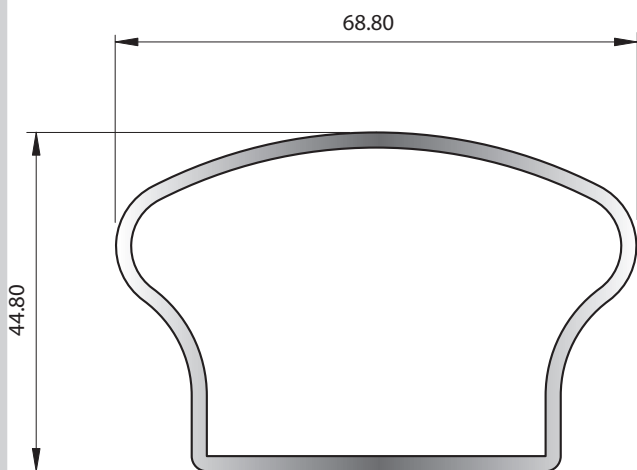
# Balustrades Group 2.1.1



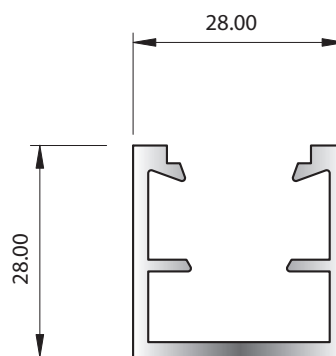
SECTION No. J472  
1.123 kg/m  
P = 203.70



SECTION No. 38431  
0.926 kg/m  
Ext. P = 191.9 mm



SECTION No. J589  
1.017 kg/m  
P = 193.90



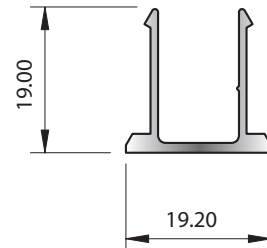
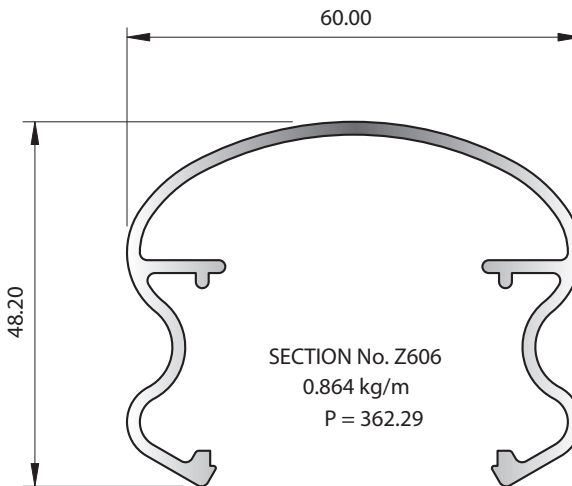
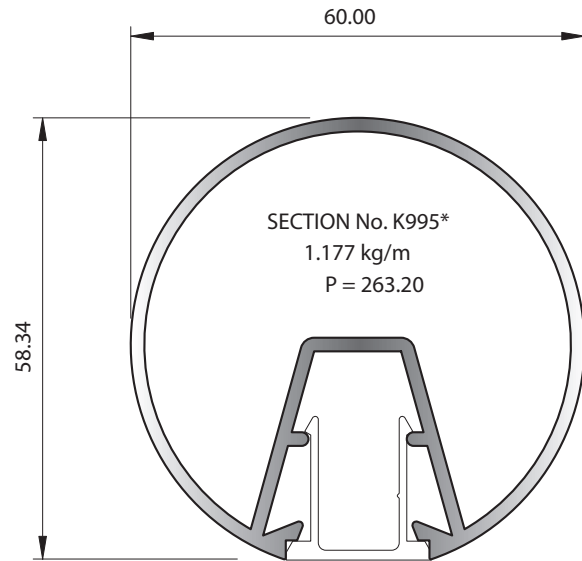
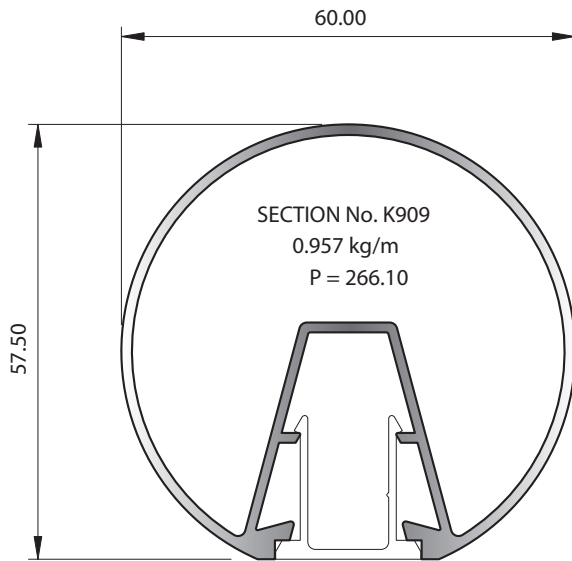
SECTION No. X108\*  
0.550 kg/m  
P = 206.41

\* SOME SPECIAL TOLERANCES APPLY

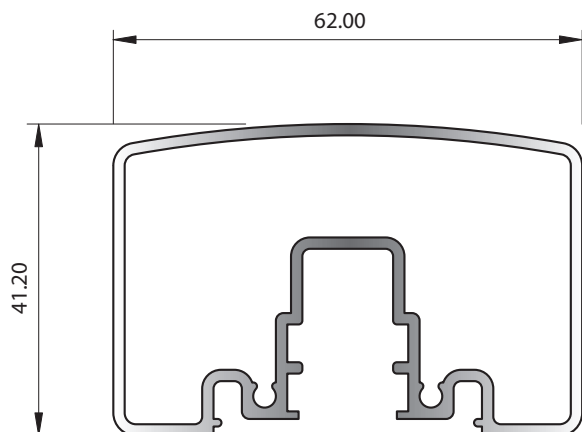
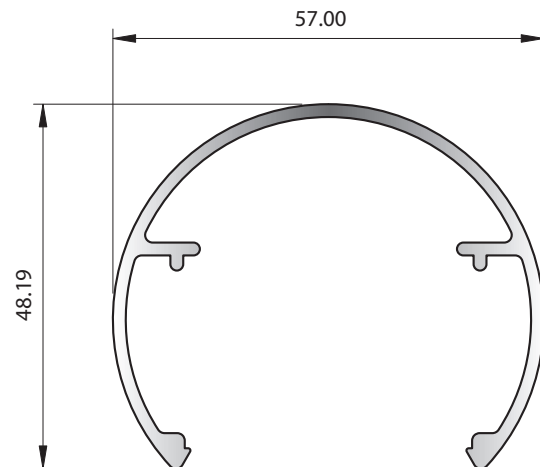


McKechnie®  
Transforming Aluminium

## Balustrades Group 2.1.2



SECTION No. 6525\*  
0.186 kg/m  
P = 110

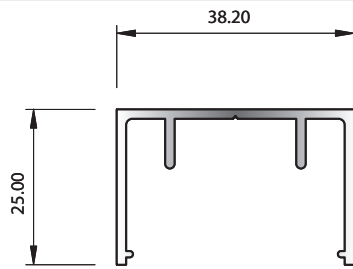


\* SOME SPECIAL TOLERANCES APPLY

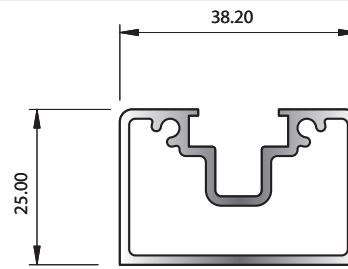


McKechnie®  
Transforming Aluminium

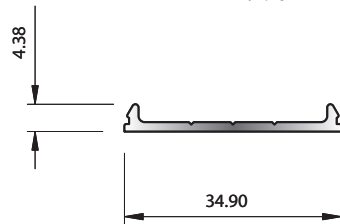
## Balustrades Group 2.1.3



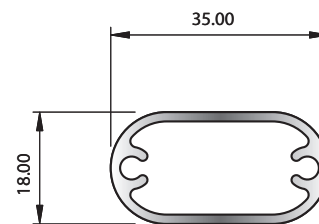
SECTION No. J411  
0.416 kg/m  
P = 207.13



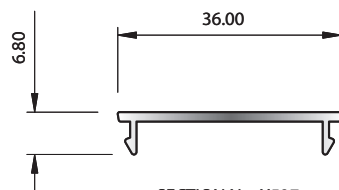
SECTION No. J410  
0.640 kg/m  
P = 157.40



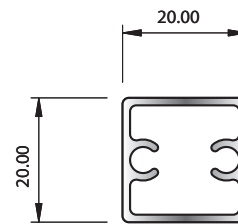
SECTION No. J413  
0.162 kg/m  
P = 83.10



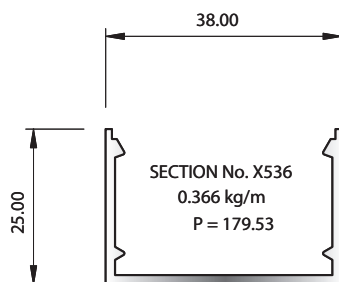
SECTION No. X534  
0.430 kg/m  
P = 90.55



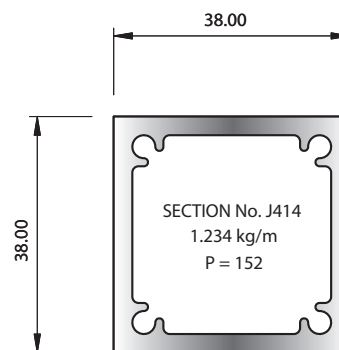
SECTION No. X537  
0.179 kg/m  
P = 95.84



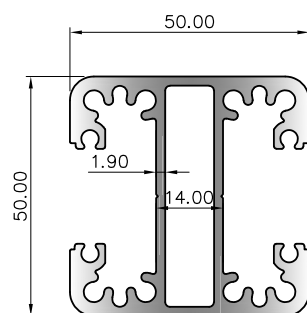
SECTION No. J412  
0.314 kg/m  
P = 78.30



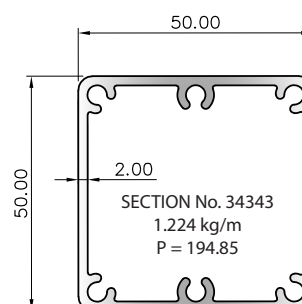
SECTION No. X536  
0.366 kg/m  
P = 179.53



SECTION No. J414  
1.234 kg/m  
P = 152



SECTION No. 36447  
1.905 kg/m  
P = 472.13



SECTION No. 34343  
1.224 kg/m  
P = 194.85