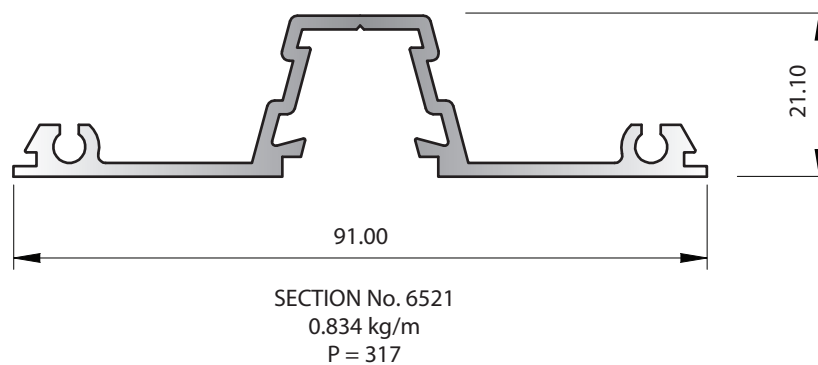
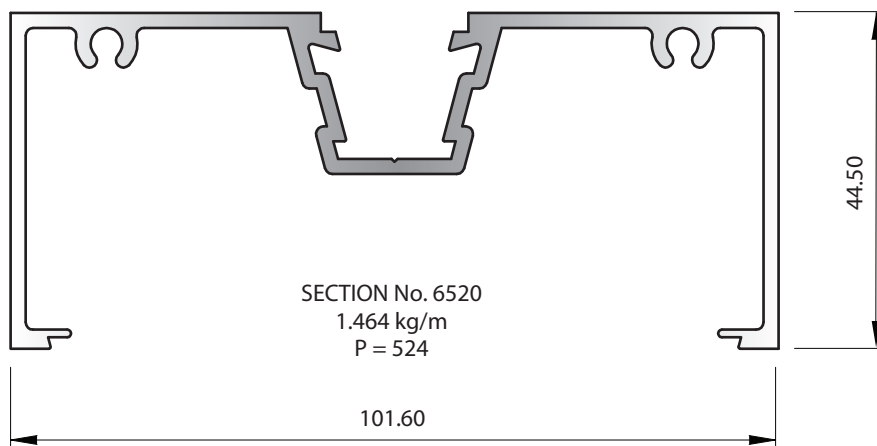
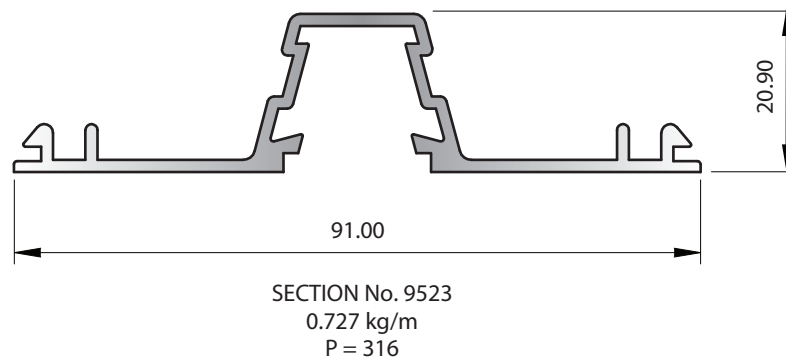
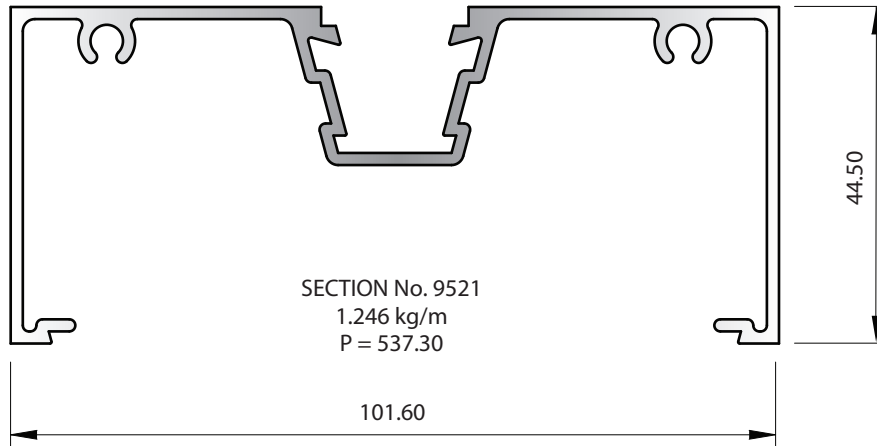
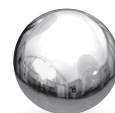


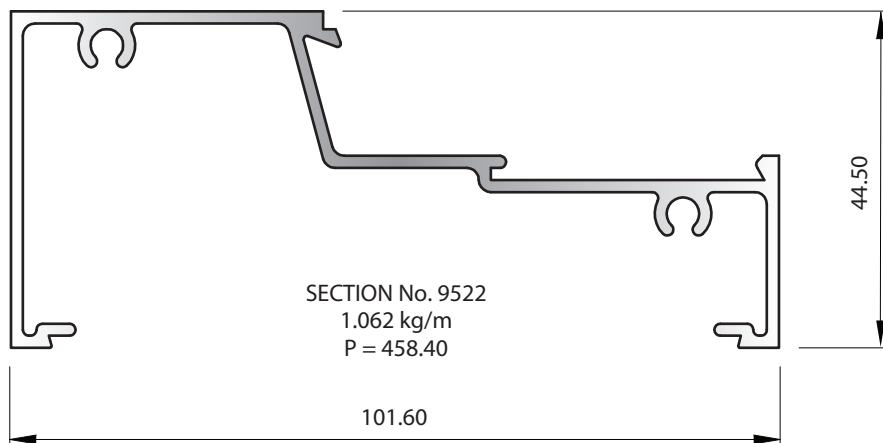
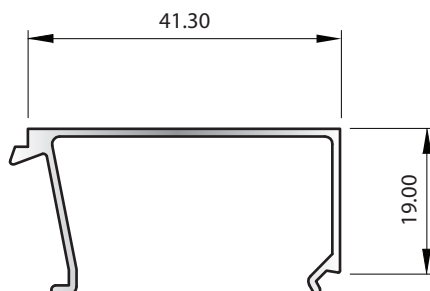
Commercial Shopfront Group 2.8.1 Australia Only





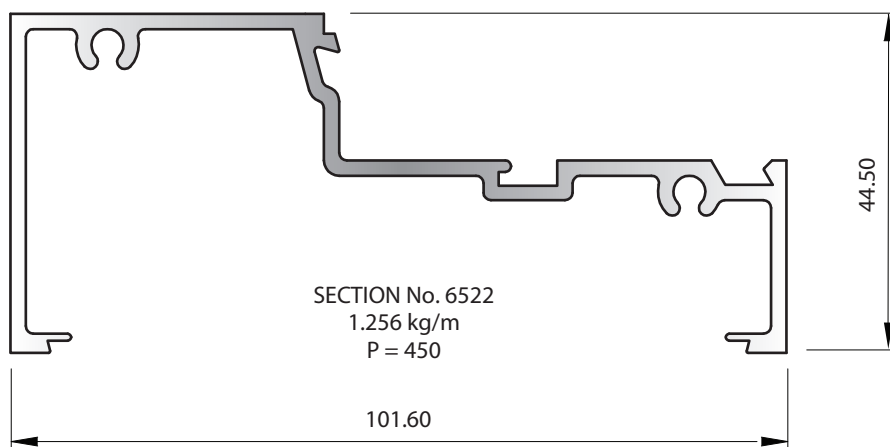
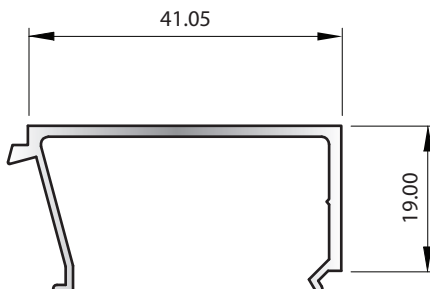
Commercial Shopfront Group 2.8.2 Australia Only

SECTION No. 9524
0.268 kg/m
P = 180.90

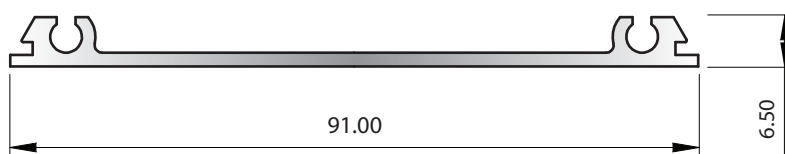


SECTION No. 9522
1.062 kg/m
P = 458.40

SECTION No. 6523
0.325 kg/m
P = 178

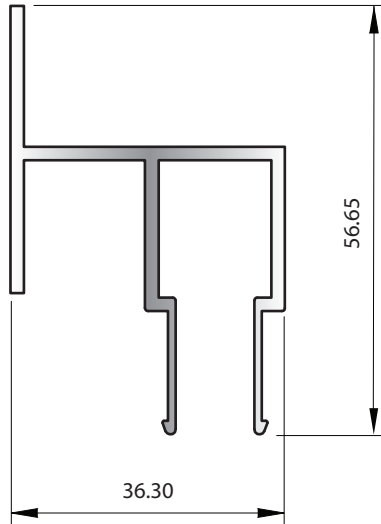


SECTION No. 6522
1.256 kg/m
P = 450

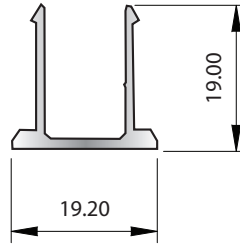


SECTION No. 6524
0.569 kg/m
P = 225.97

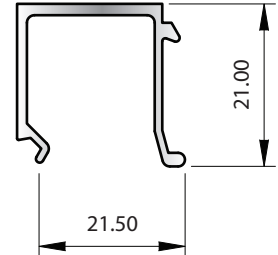
Commercial Shopfront Group 2.8.3 Australia Only



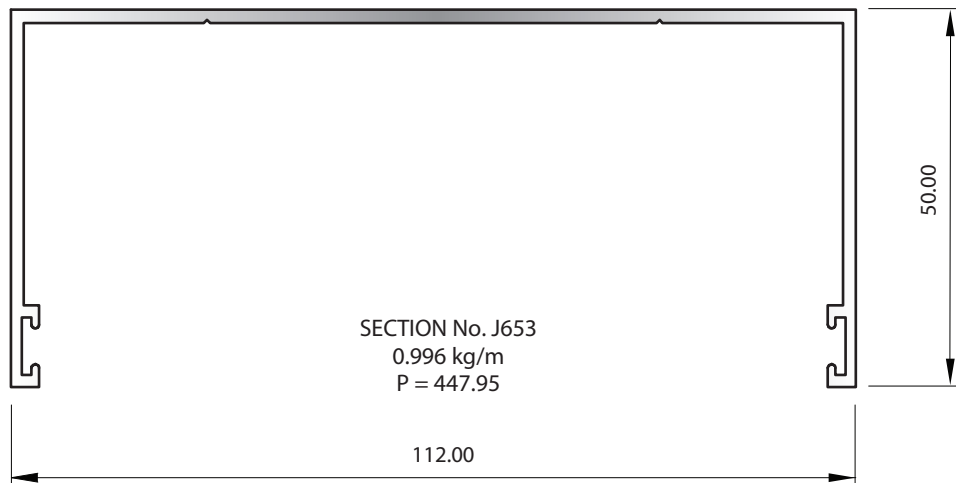
SECTION No. E763
0.662 kg/m
P = 302.86



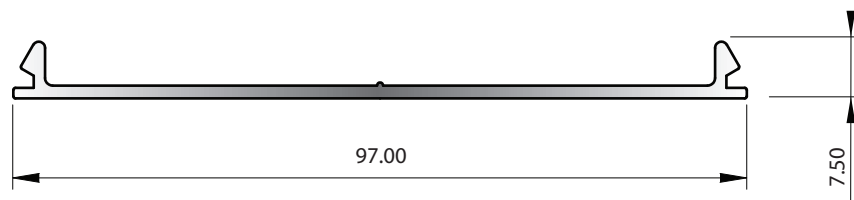
SECTION No. 6525
0.186 kg/m
P = 110



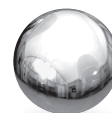
SECTION No. E761
0.227 kg/m
P = 130.09



SECTION No. J653
0.996 kg/m
P = 447.95

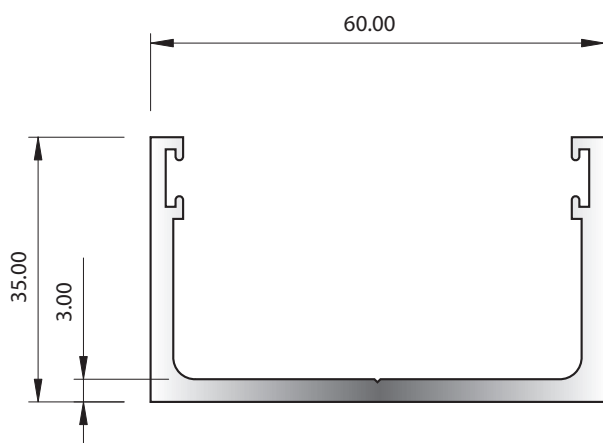


SECTION No. J644
0.510 kg/m
P = 220.86

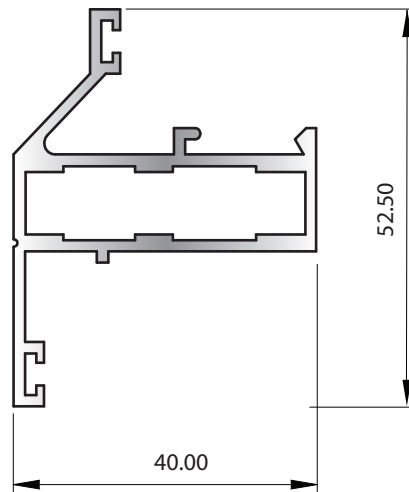


McKechnie®
Transforming Aluminium

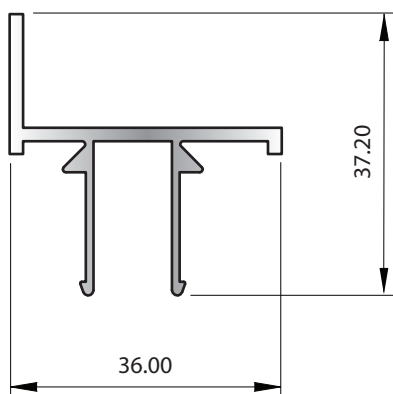
Commercial Shopfront Group 2.8.4 Australia Only



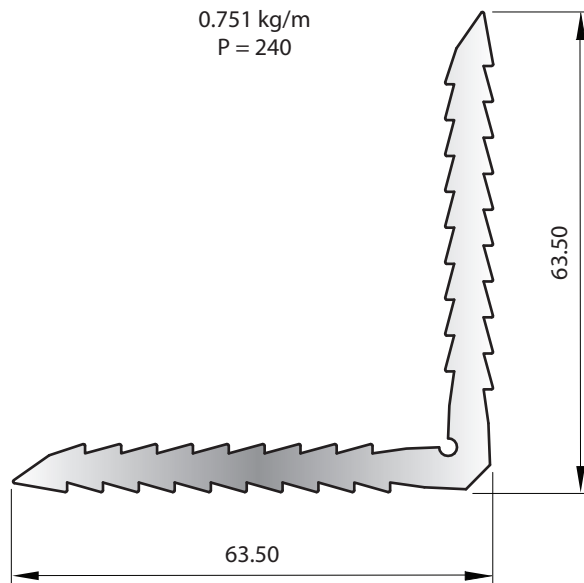
SECTION No. J650
1.013 kg/m
P = 275.64



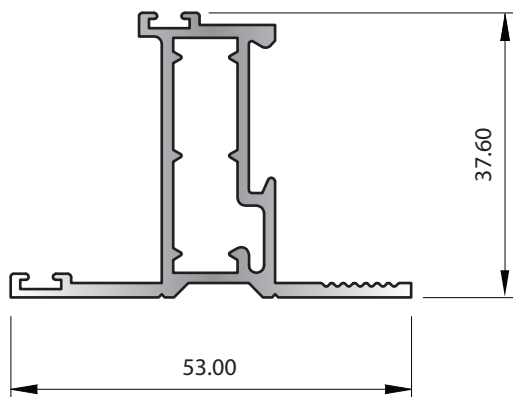
SECTION No. 6570
0.751 kg/m
P = 240



SECTION No. E762
0.415 kg/m
P = 202.69



SECTION No. 9126
1.582 kg/m
P = 296



SECTION No. E760
0.674 kg/m
P = 218.76