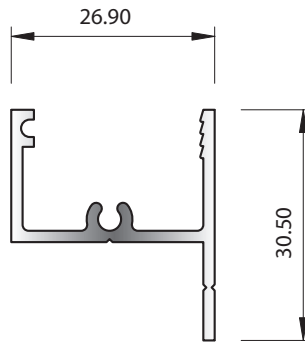
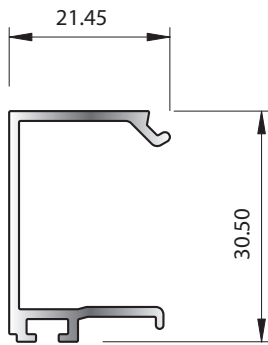


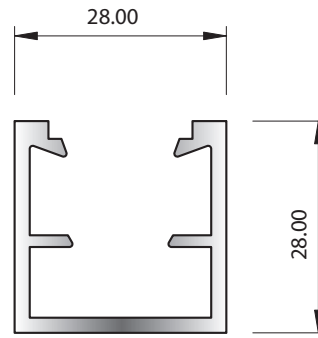
Glazing Bars Group 2.3.1



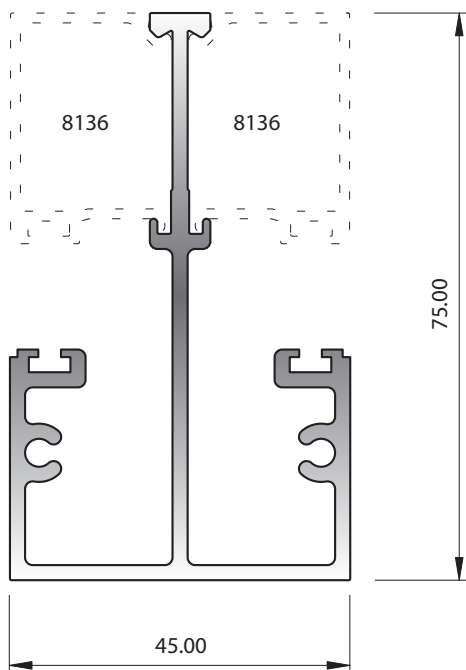
SECTION No. 7191
0.339 kg/m
P = 166.12



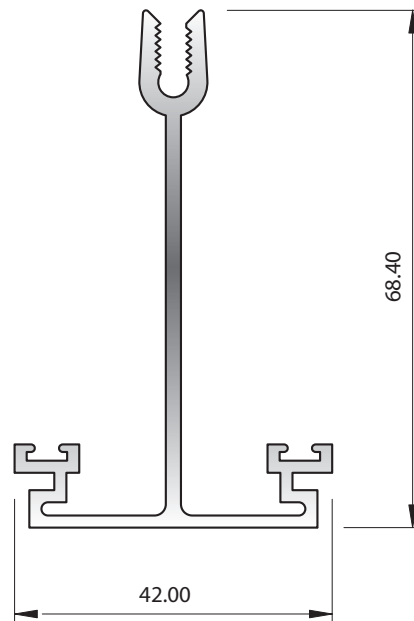
SECTION No. 8136
0.281 kg/m
P = 157



SECTION No. X108
0.550 kg/m
P = 206.41



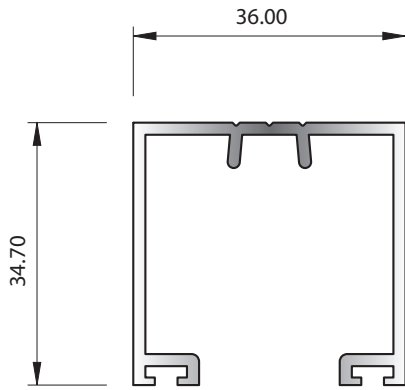
SECTION No. 8706
1.286 kg/m
P = 462.80



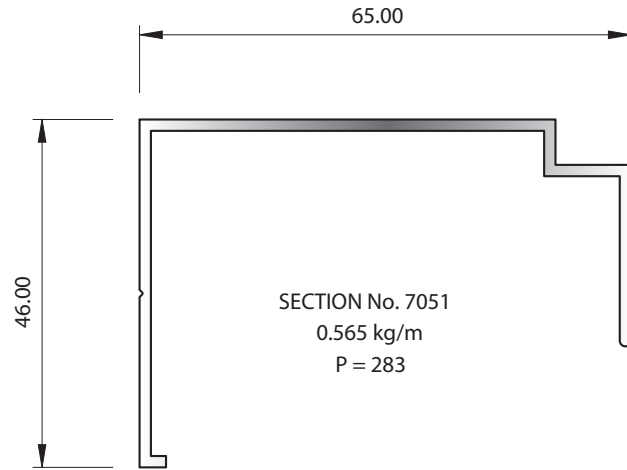
SECTION No. 6199
0.835 kg/m
P = 341.15



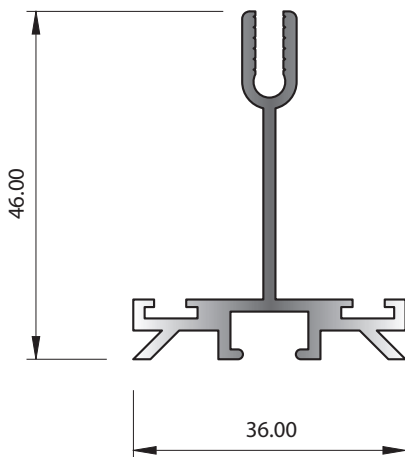
Glazing Bars Group 2.3.2



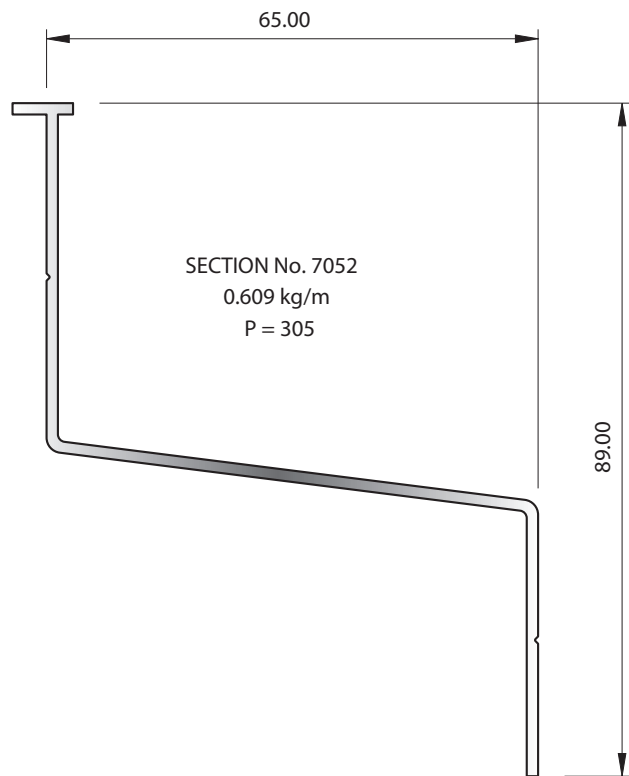
SECTION No. 7055
0.572 kg/m
P = 272



SECTION No. 7051
0.565 kg/m
P = 283



SECTION No. 7054
0.569 kg/m
P = 257



SECTION No. 7052
0.609 kg/m
P = 305