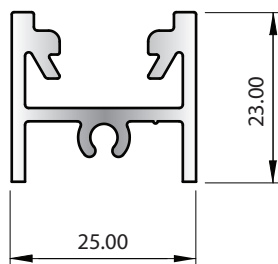
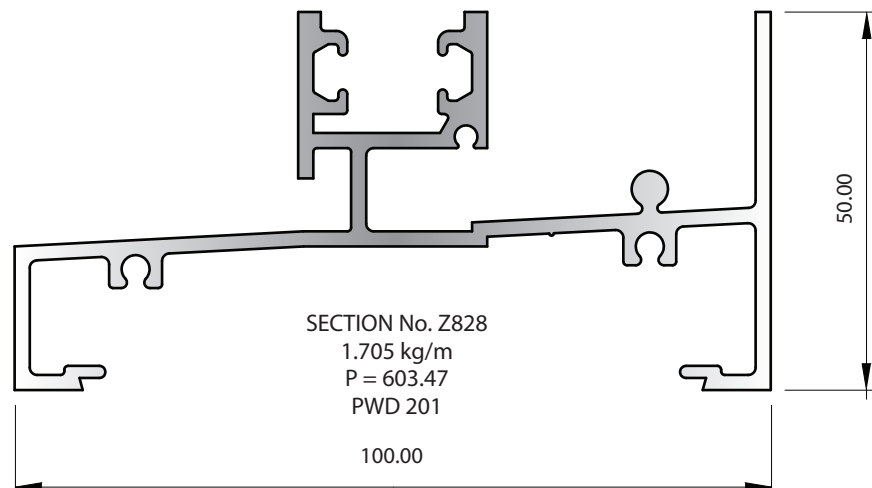
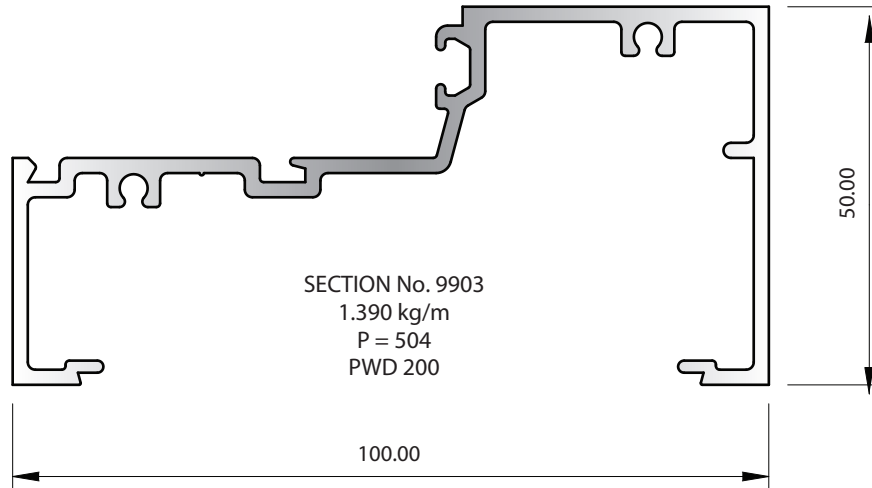
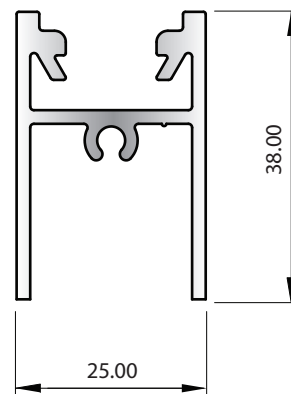


PWD No.2 Suite Group 2.9.1

Australia Only



SECTION No. Z829
0.510 kg/m
P = 184.64
PWD 202

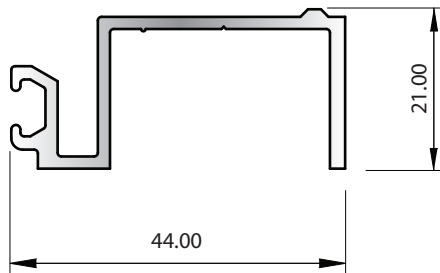


SECTION No. Z830
0.657 kg/m
P = 244.64
PWD 203

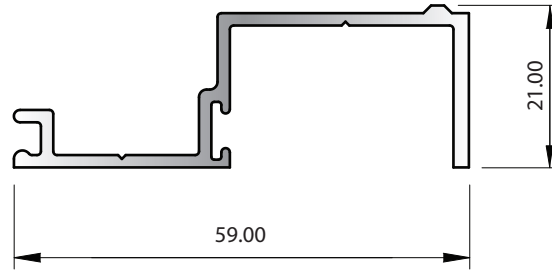


McKechnie®
Transforming Aluminium

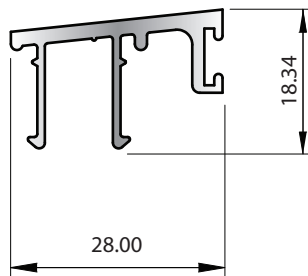
PWD No.2 Suite Group 2.9.2 Australia Only



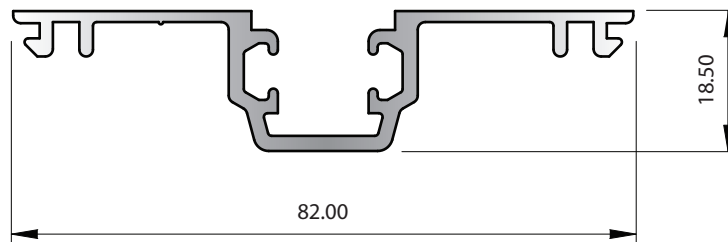
SECTION No. Z831
0.465 kg/m
P = 198.17
PWD 204



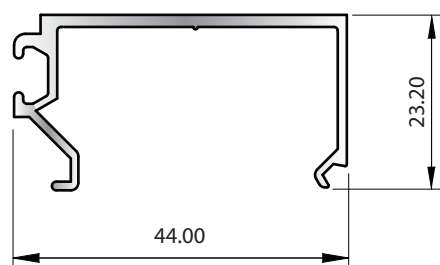
SECTION No. Z832
0.499 kg/m
P = 221.38
PWD 205



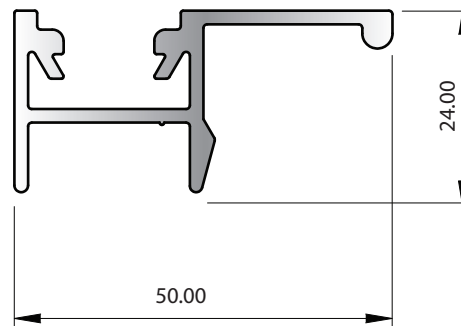
SECTION No. Z833
0.307 kg/m
P = 150.67
PWD 206



SECTION No. 9906
0.717 kg/m
P = 294
PWD 207

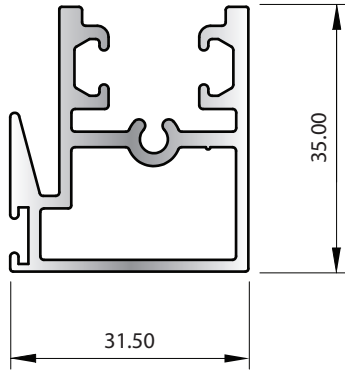


SECTION No. 9905
0.379 kg/m
P = 199
PWD 208

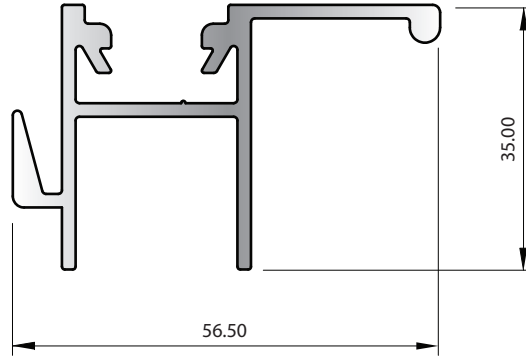


SECTION No. Z834
0.639 kg/m
P = 225.03
PWD 209

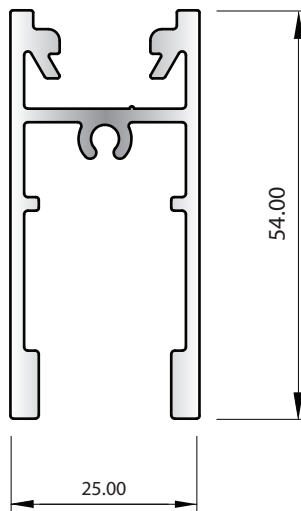
PWD No.2 Suite Group 2.9.3 Australia Only



SECTION No. Z835
0.833 kg/m
P = 243.71
PWD 210



SECTION No. Z836
0.836 kg/m
P = 300.22
PWD 211

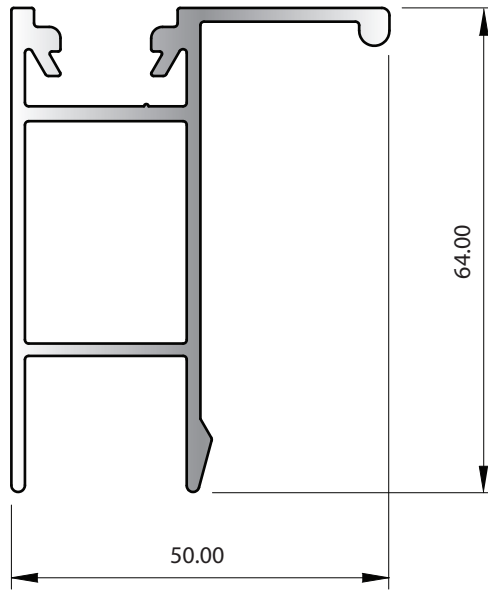


SECTION No. Z838
0.927 kg/m
P = 321.06
PWD 213

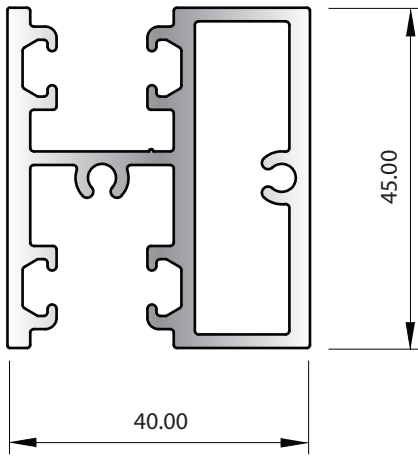


McKechnie®
Transforming Aluminium

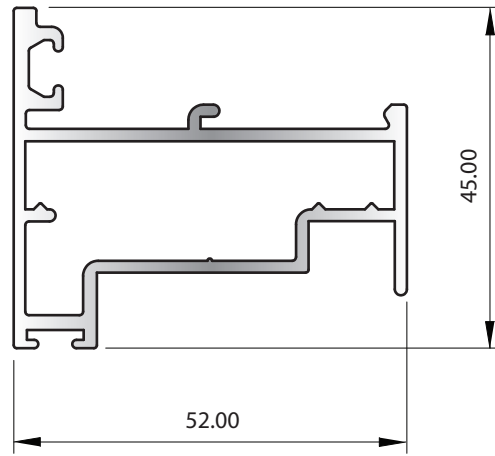
PWD No.2 Suite Group 2.9.4 Australia Only



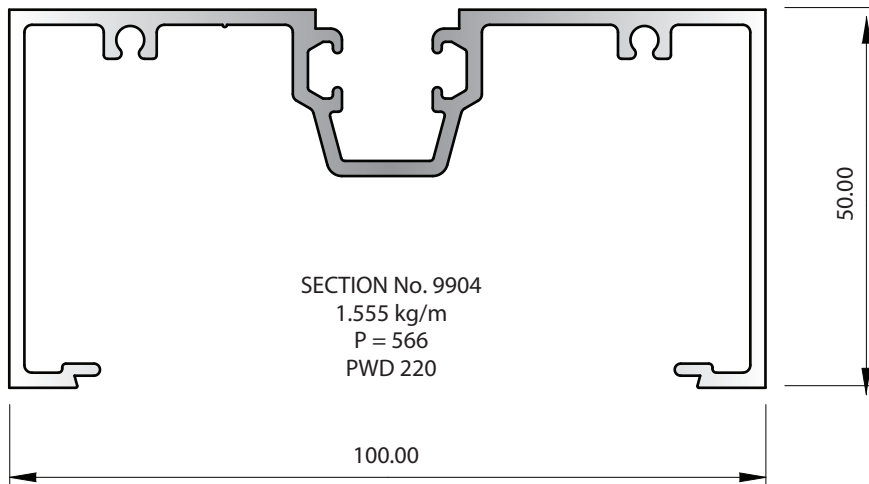
SECTION No. Z840
1.134 kg/m
P = 322.42
PWD 215



SECTION No. Z842
1.430 kg/m
P = 339.71
PWD 217

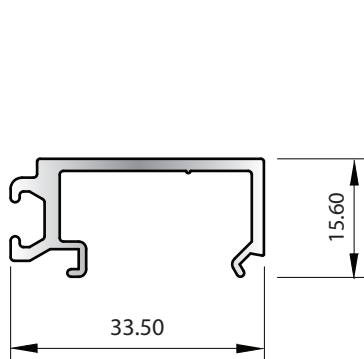


SECTION No. Z843
0.949 kg/m
P = 258
PWD 219

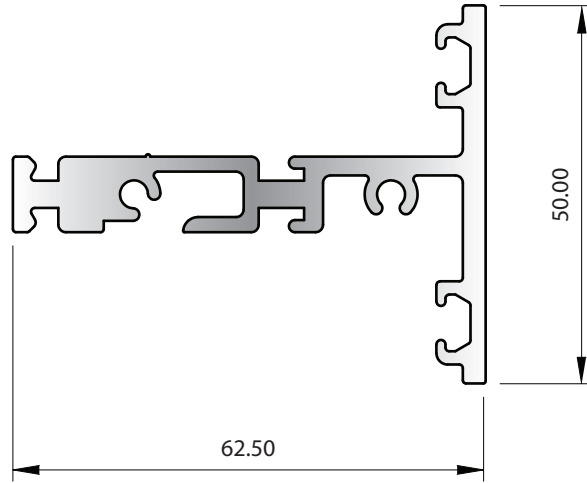


SECTION No. 9904
1.555 kg/m
P = 566
PWD 220

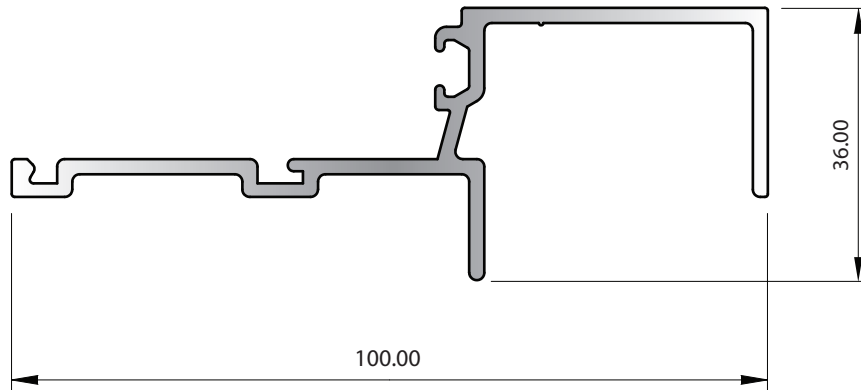
PWD No.2 Suite Group 2.9.5 Australia Only



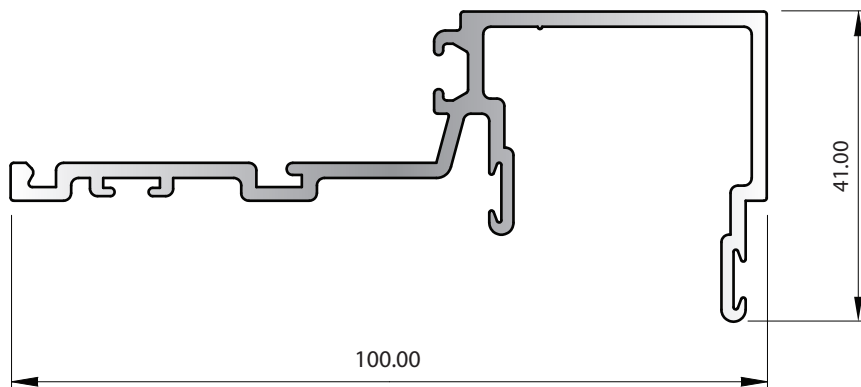
SECTION No. Z844
0.328 kg/m
P = 149.49
PWD 221



SECTION No. Z845
1.322 kg/m
P = 358.06
PWD 222



SECTION No. Z846
0.981 kg/m
P = 356.83
PWD 223

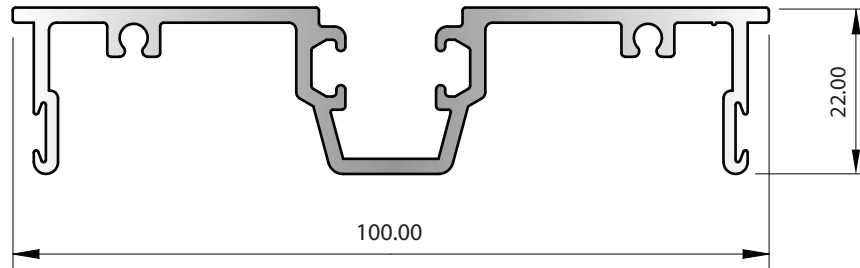


SECTION No. Z847
1.135 kg/m
P = 427.30
PWD 224

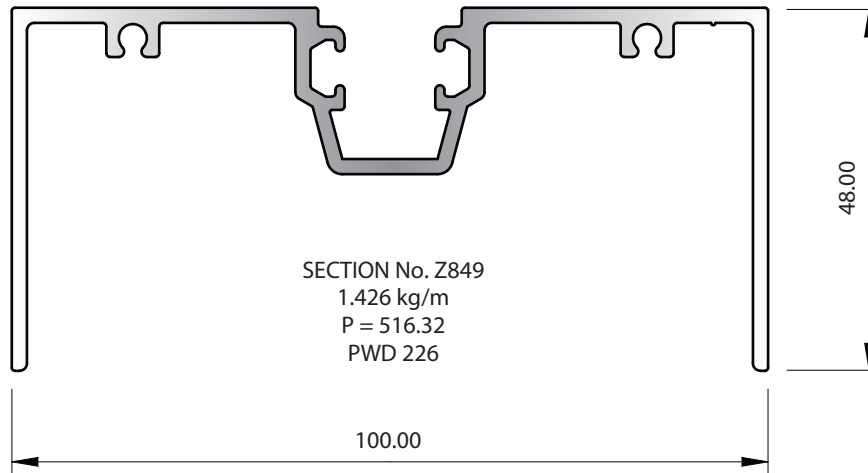


McKechnie®
Transforming Aluminium

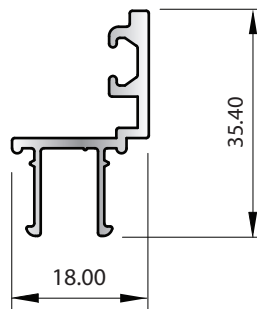
PWD No.2 Suite Group 2.9.6 Australia Only



SECTION No. Z848
1.155 kg/m
P = 430.01
PWD 225



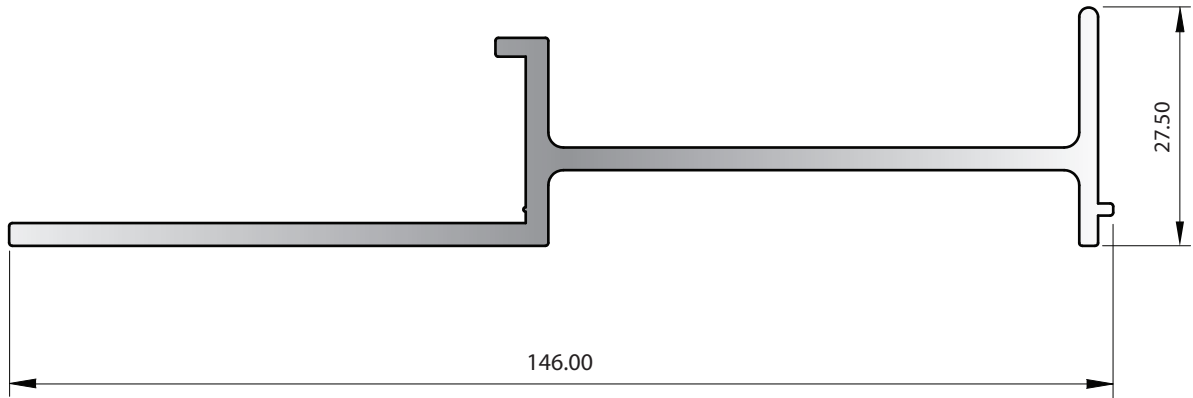
SECTION No. Z849
1.426 kg/m
P = 516.32
PWD 226



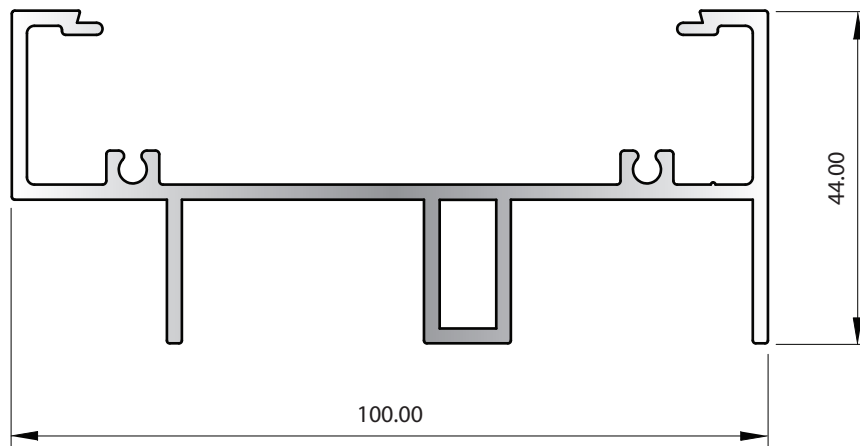
SECTION No. Z850
0.345 kg/m
P = 165.51
PWD 227

PWD No.2 Suite Group 2.9.7

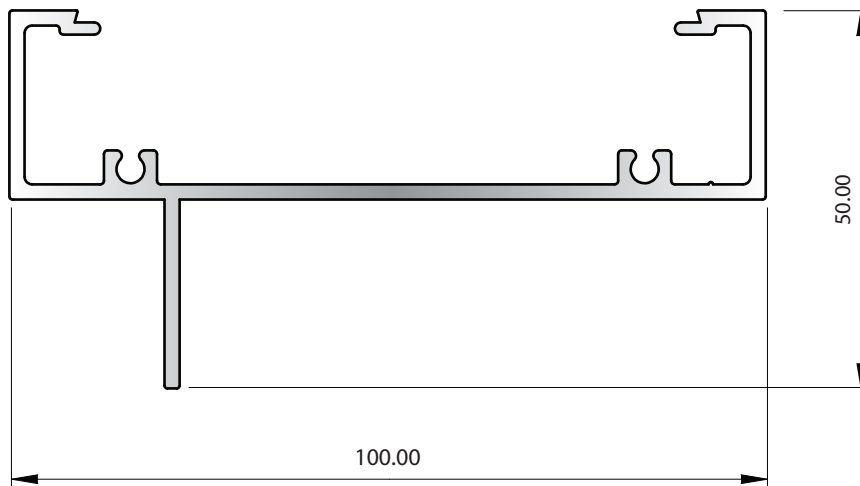
Australia Only



SECTION No. Z852
1.606 kg/m
P = 406.25
PWD 230



SECTION No. Z854
1.462 kg/m
P = 483.08
PWD 231

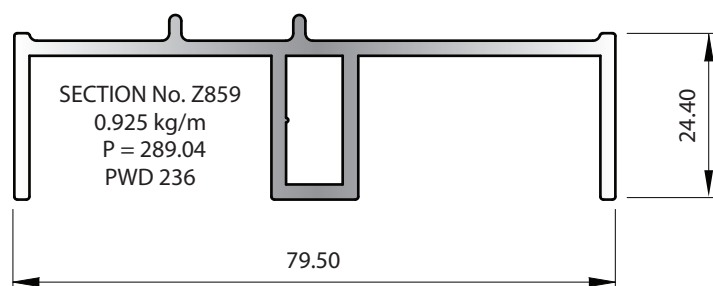
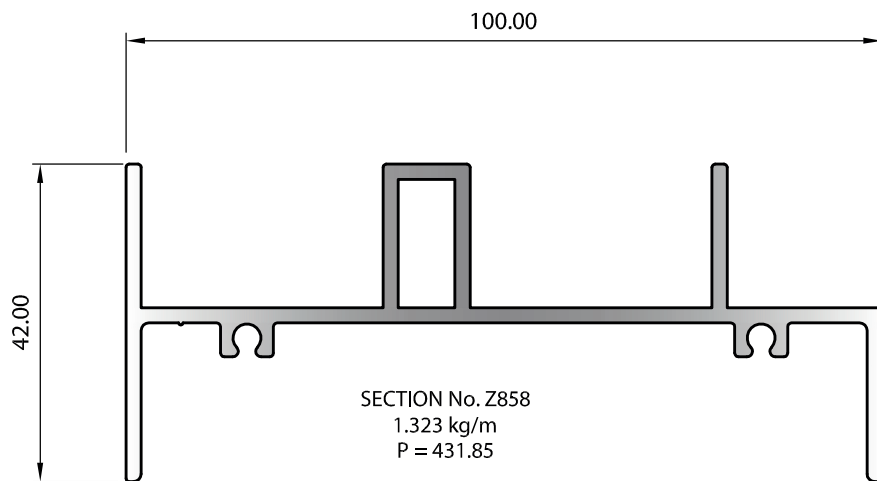
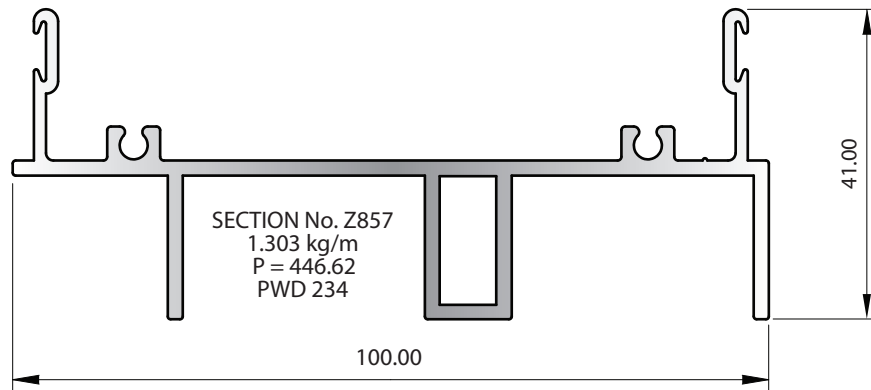
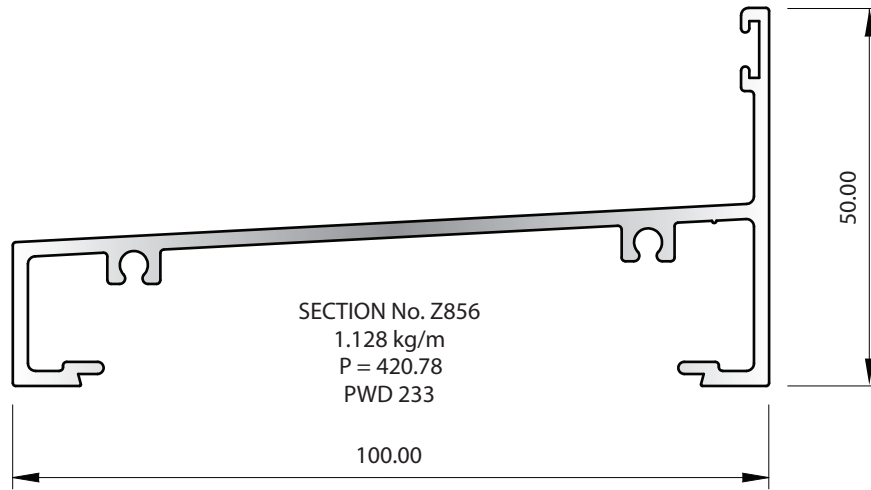


SECTION No. Z855
1.145 kg/m
P = 419.59
PWD 232

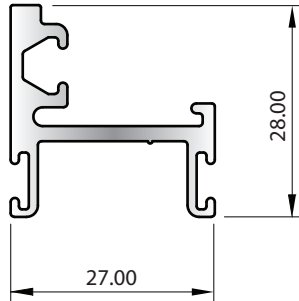


McKechnie®
Transforming Aluminium

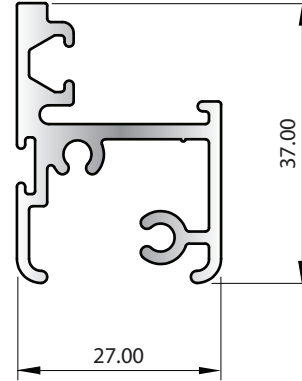
PWD No.2 Suite Group 2.9.8 Australia Only



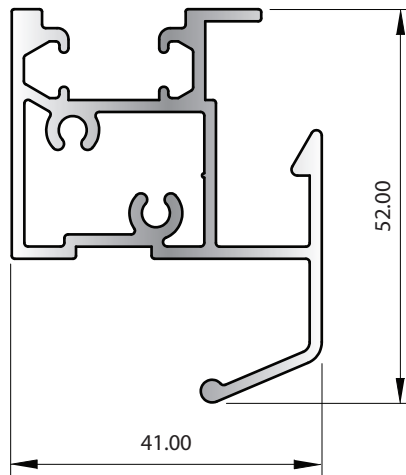
PWD No.2 Suite Group 2.9.9 Australia Only



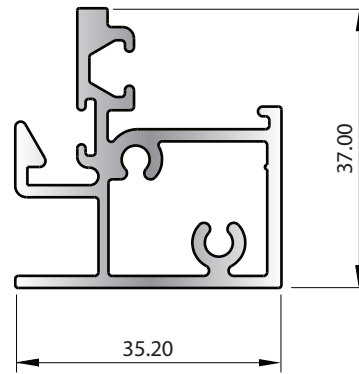
SECTION No. Z860
0.456 kg/m
P = 174.33
PWD 237



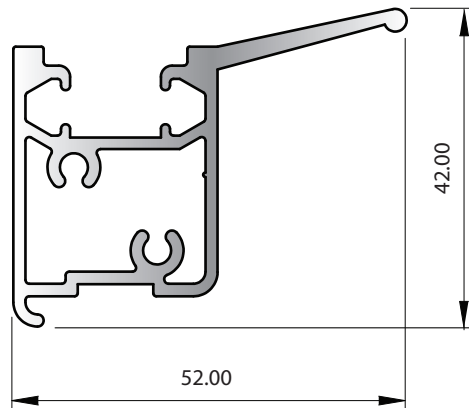
SECTION No. Z861
0.662 kg/m
P = 248.13
PWD 238



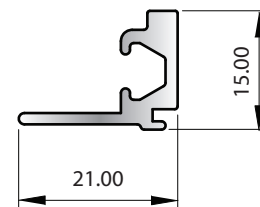
SECTION No. Z862
1.035 kg/m
P = 301.23
PWD 239



SECTION No. Z863
0.833 kg/m
P = 225.33
PWD 240



SECTION No. Z864
0.929 kg/m
P = 230.34
PWD 241

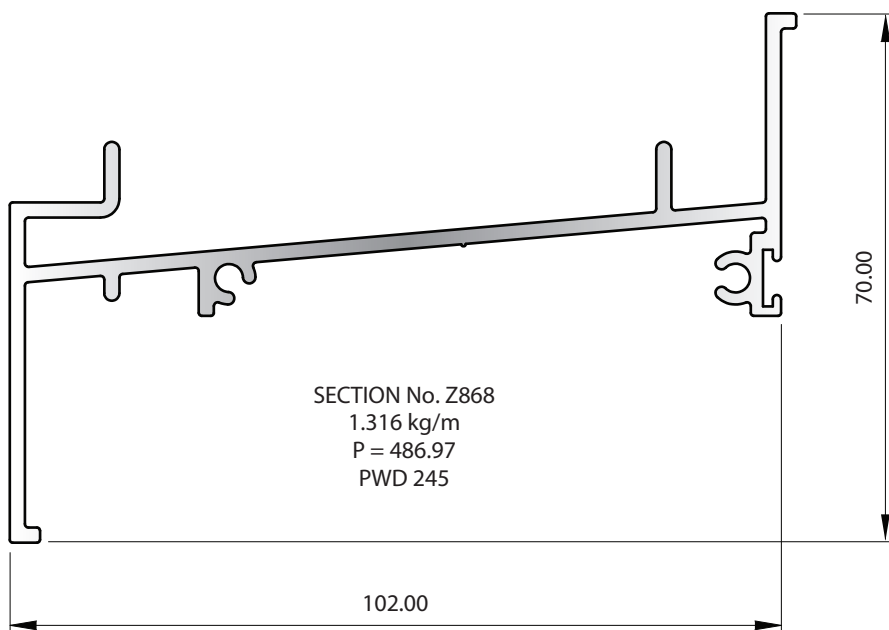
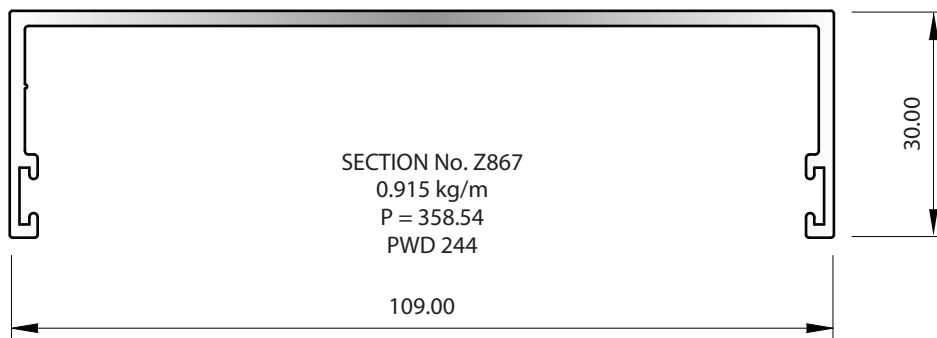
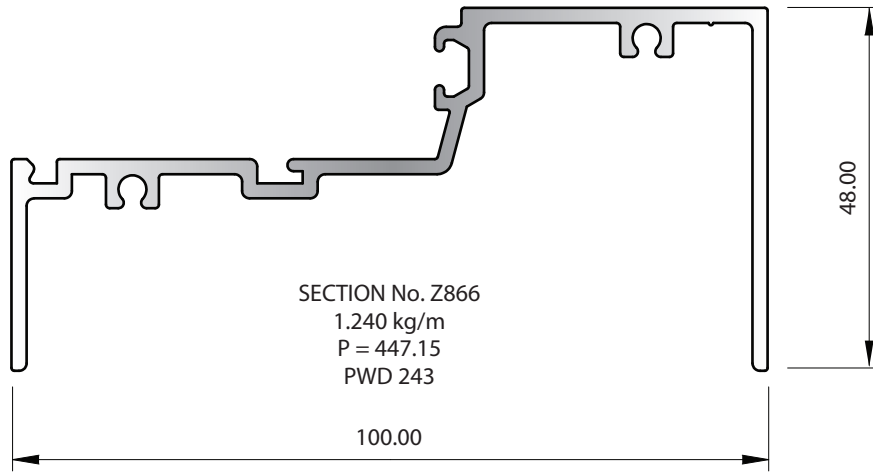


SECTION No. Z844
0.328 kg/m
P = 149.49
PWD 242



McKechnie®
Transforming Aluminium

PWD No.2 Suite Group 2.9.10 Australia Only



PWD No.2 Suite Group 2.9.11 Australia Only

