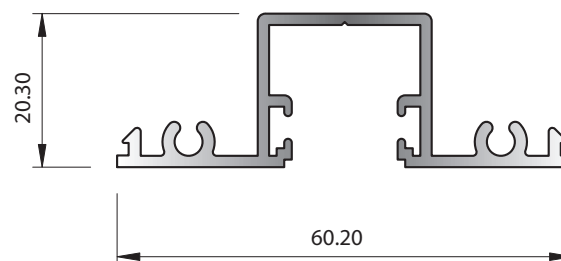
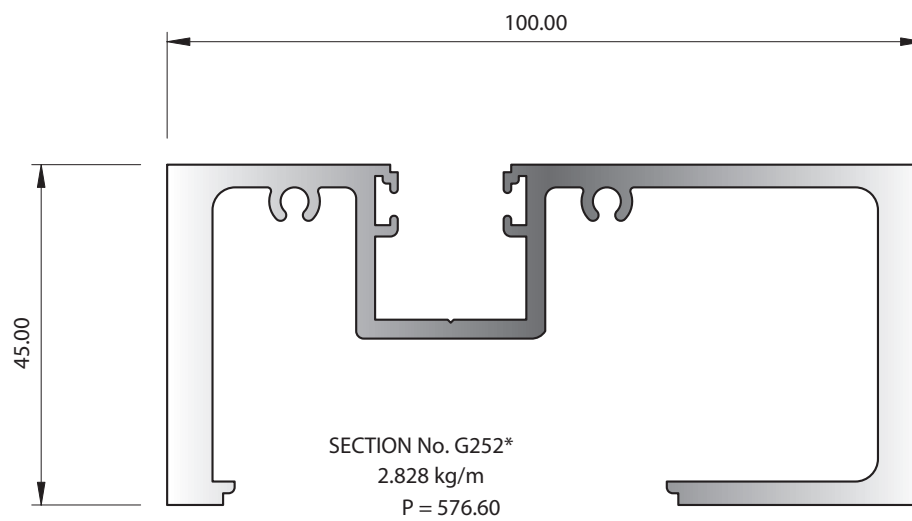
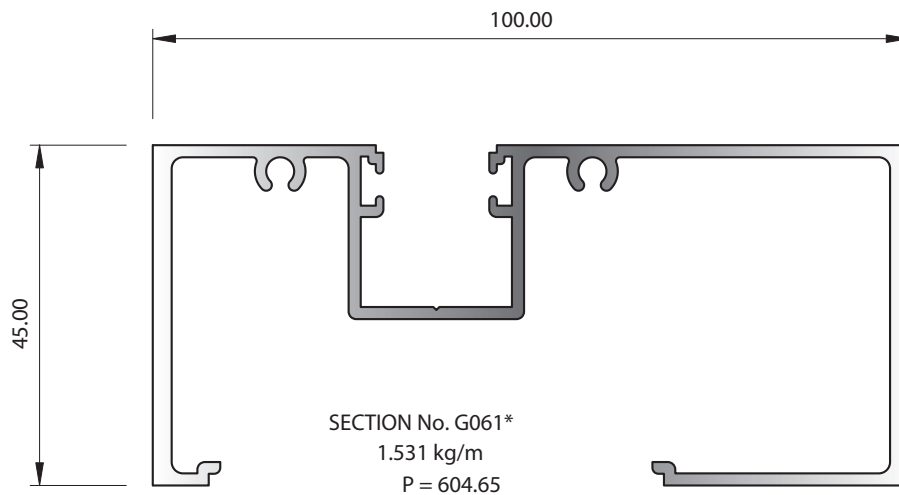




McKechnie®  
Transforming Aluminium

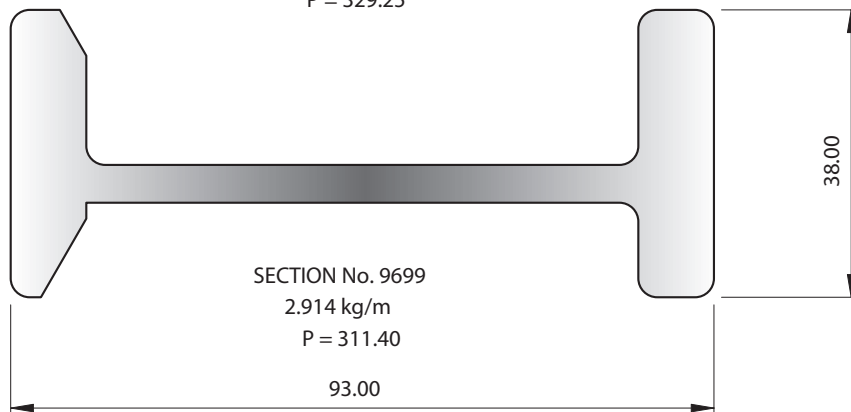
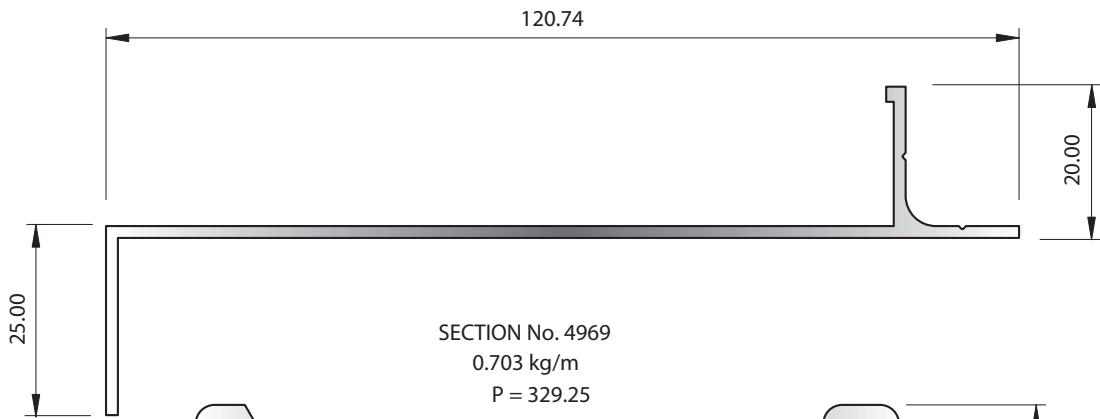
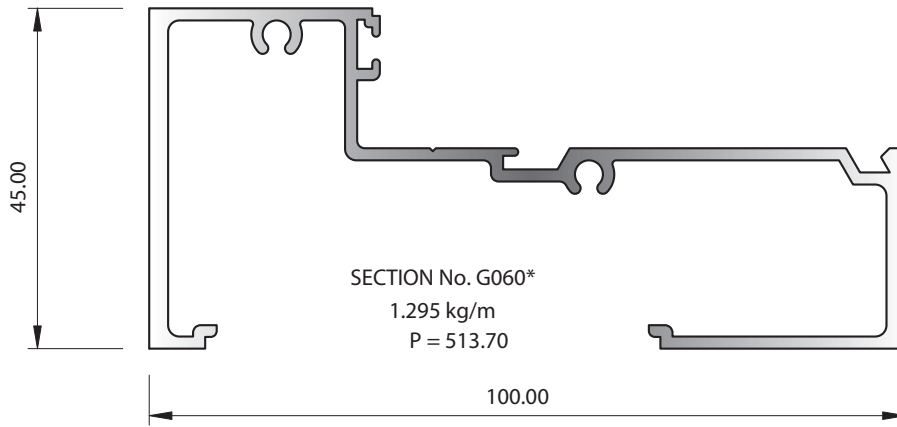
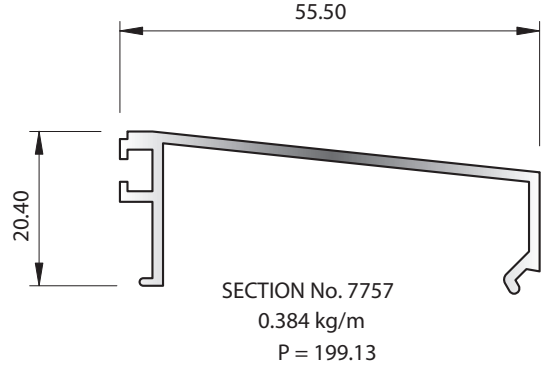
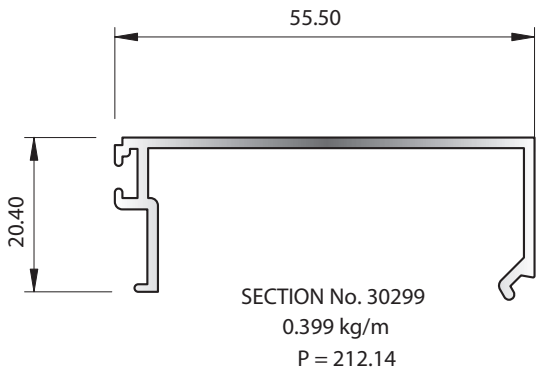
## Pacific 100 Series Shopfront Group 2.6.1 New Zealand Only



\* SOME SPECIAL TOLERANCES APPLY

# Pacific 100 Series Shopfront Group 2.6.2

## New Zealand Only

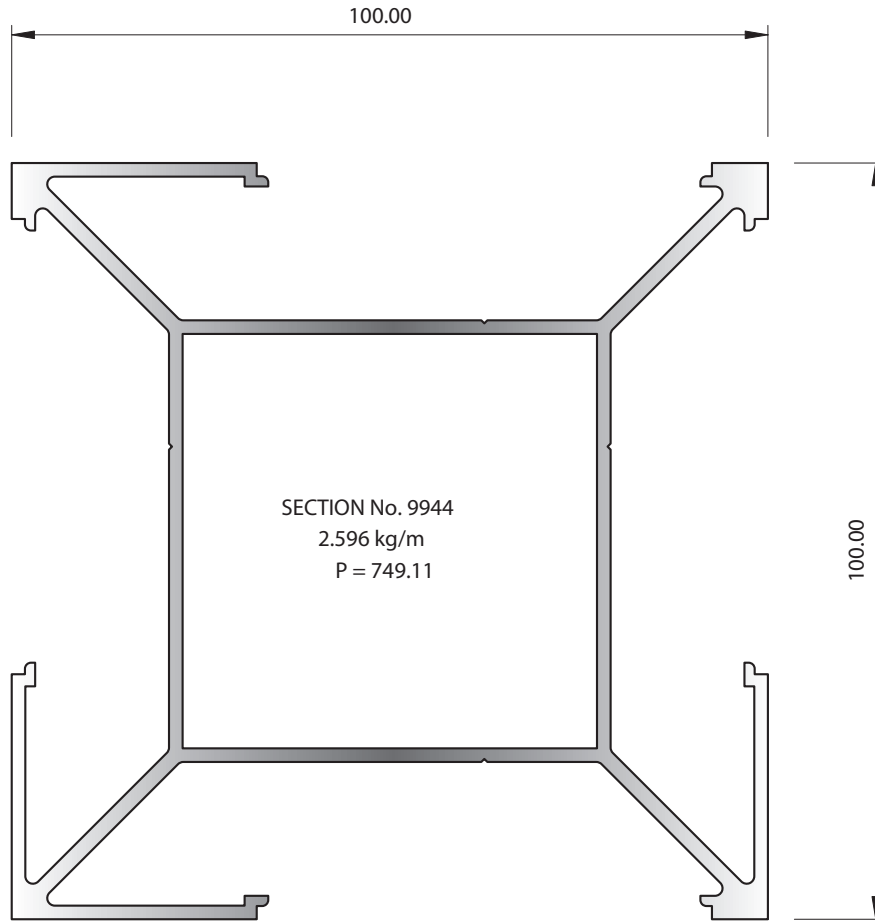


\* SOME SPECIAL TOLERANCES APPLY

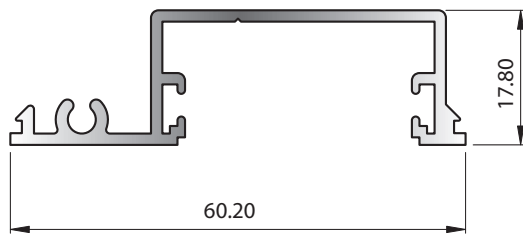


McKechnie®  
Transforming Aluminium

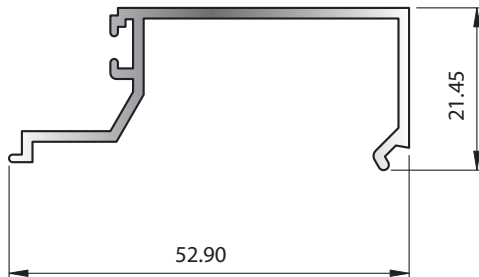
# Pacific 100 Series Shopfront Group 2.6.3 New Zealand Only



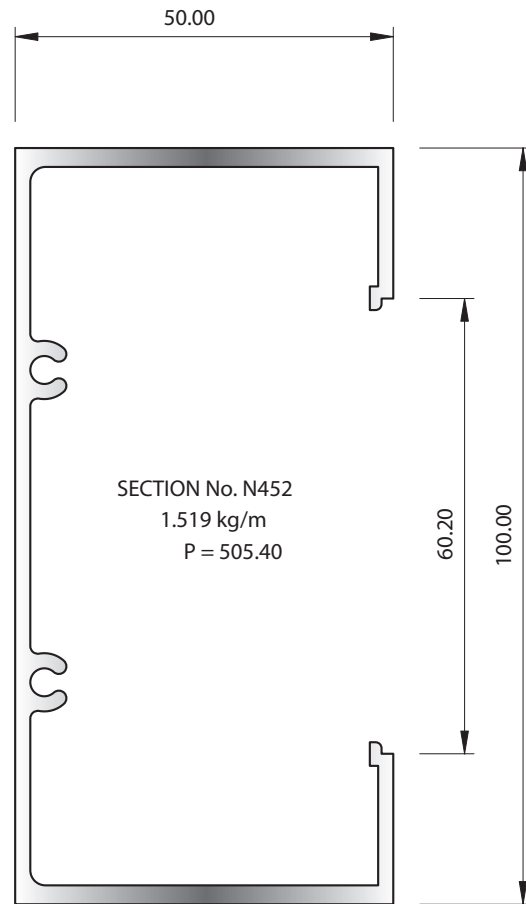
## Pacific 100 Series Shopfront Group 2.6.4 New Zealand Only



SECTION No. 30771  
0.511 kg/m  
P = 247.49



SECTION No. 30772  
0.380 kg/m  
P = 202.94



SECTION No. N452  
1.519 kg/m  
P = 505.40