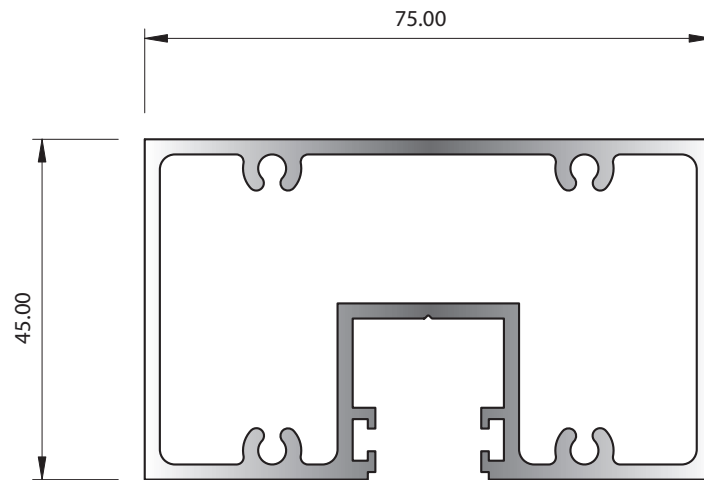
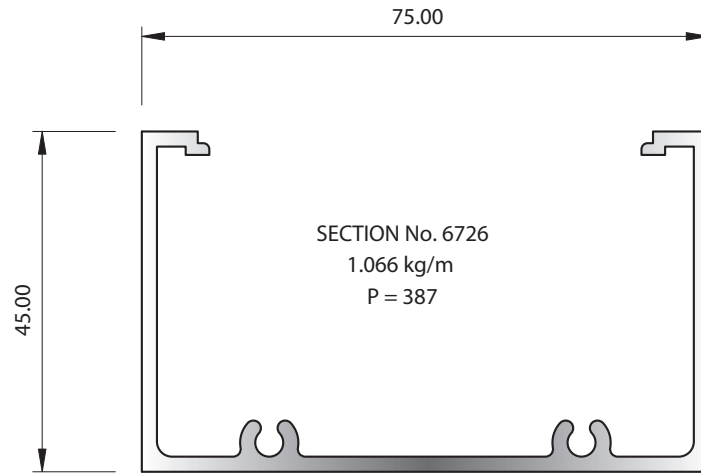


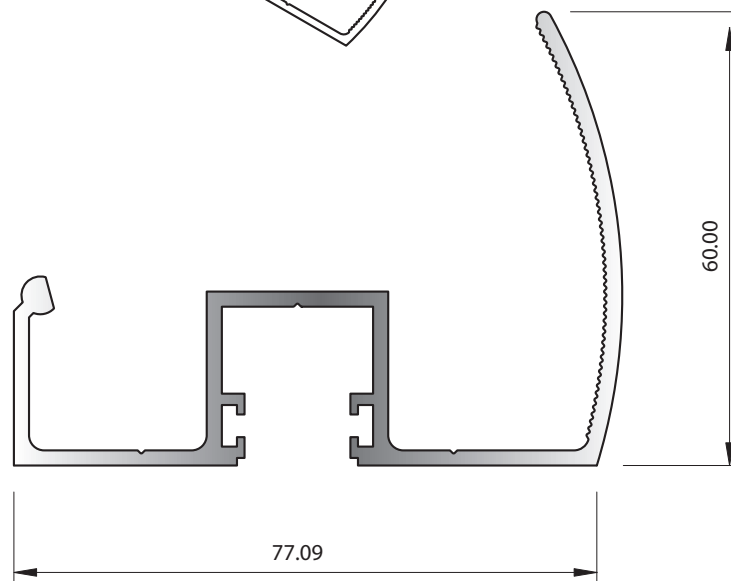
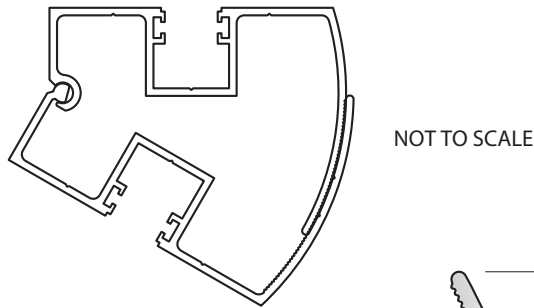
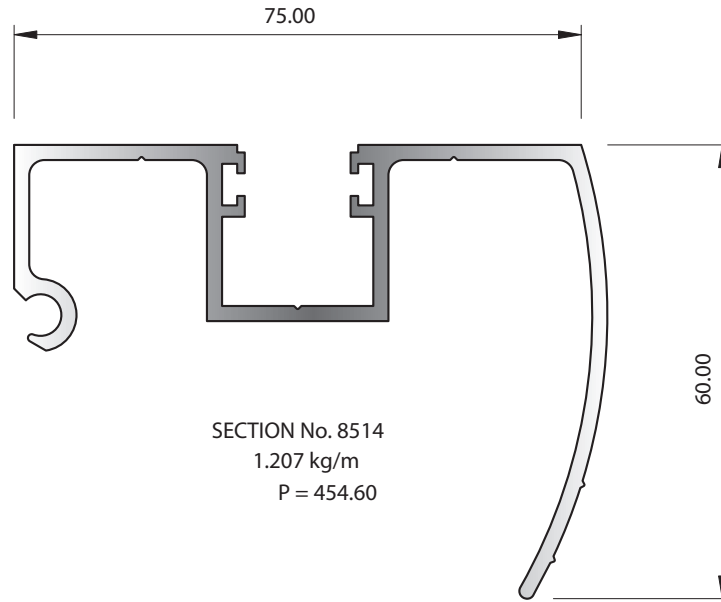


McKechnie®  
Transforming Aluminium

# Pacific 75 Series Shopfront Group 2.5.3 New Zealand Only



# Pacific 75 Series Shopfront Group 2.5.4 New Zealand Only

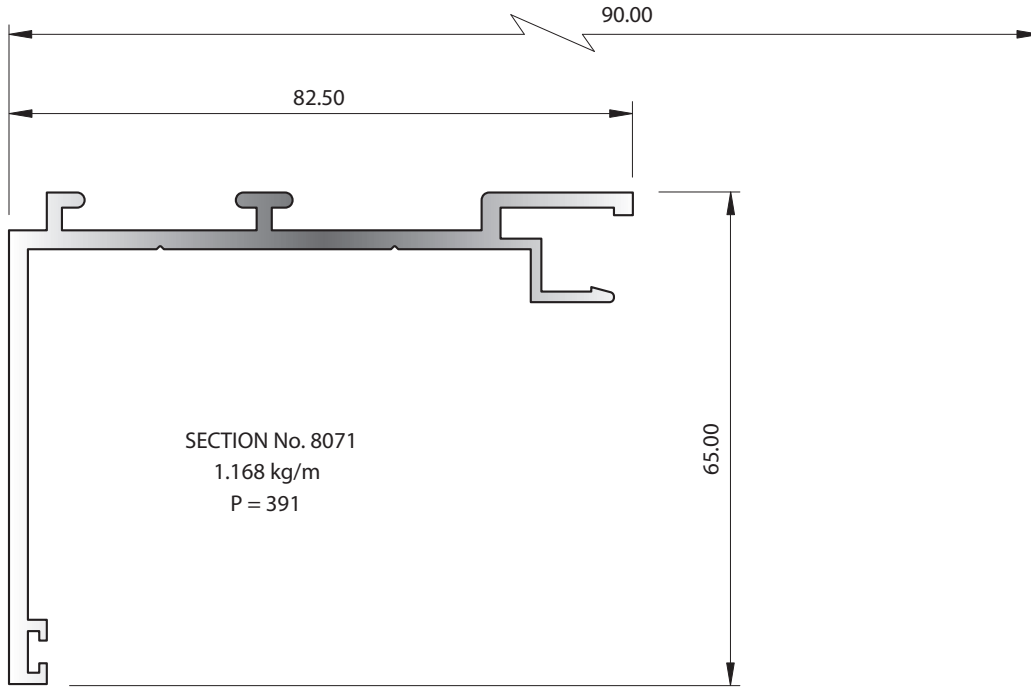


SECTION No. 8513  
1.231 kg/m  
P = 458

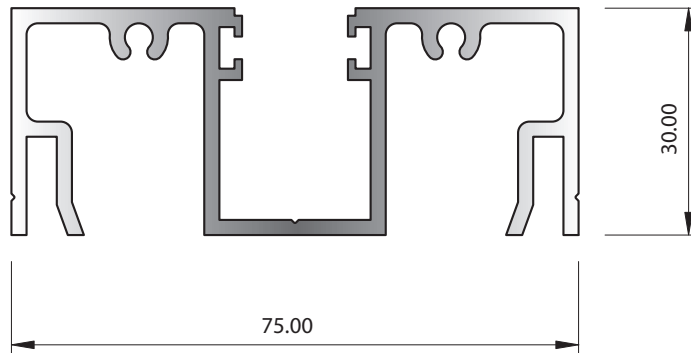
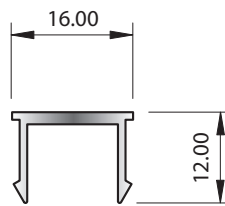


McKechnie®  
Transforming Aluminium

# Pacific 75 Series Shopfront Group 2.5.5 New Zealand Only



SECTION No. 5706  
0.126 kg/m  
P = 77



# Pacific 75 Series Shopfront Group 2.5.6 New Zealand Only

