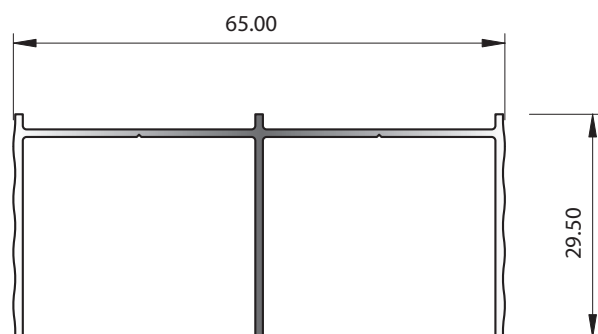
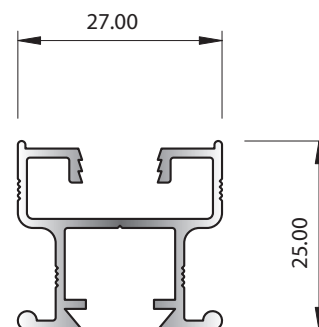


McKechnie®
Transforming Aluminium

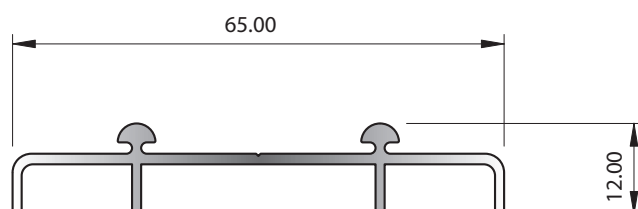
Sliding Door and Wardrobe Sections Group 3.3.1



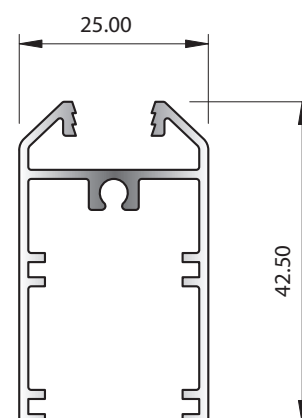
SECTION No. K500
0.427 kg/m
P = 300.50



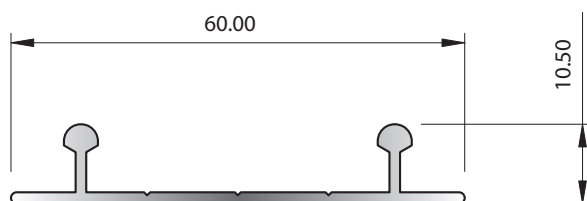
SECTION No. K502
0.391 kg/m
P = 231.10



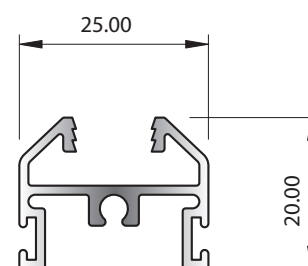
SECTION No. K501
0.393 kg/m
P = 206.40



SECTION No. K503
0.494 kg/m
P = 290

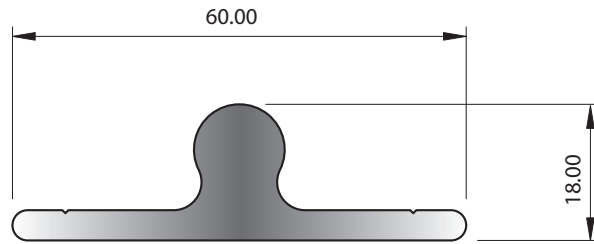


SECTION No. J657
0.352 kg/m
P = 146.62

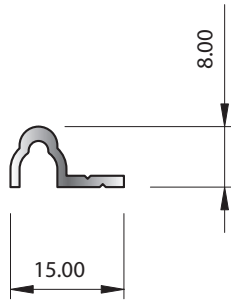


SECTION No. K504
0.330 kg/m
P = 190.30

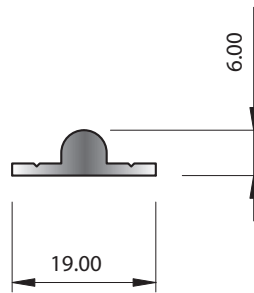
Sliding Door and Wardrobe Sections Group 3.3.2



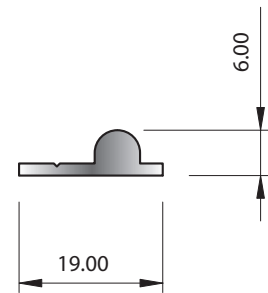
SECTION No. N999
1.039 kg/m
P = 147.20



SECTION No. N043
0.093 kg/m
P = 52.26



SECTION No. 6756
0.142 kg/m
P = 48



SECTION No. 6856
0.143 kg/m
P = 48