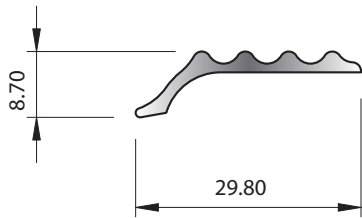


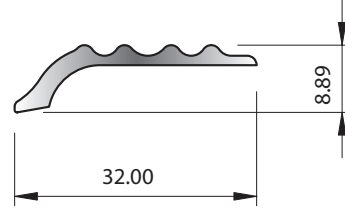


McKechnie®  
Transforming Aluminium

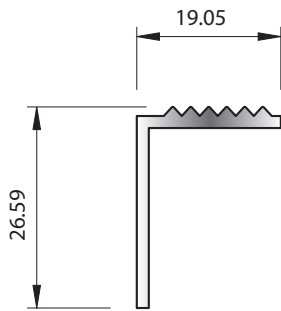
# Stair Treads and Nosings Group 3.4.1



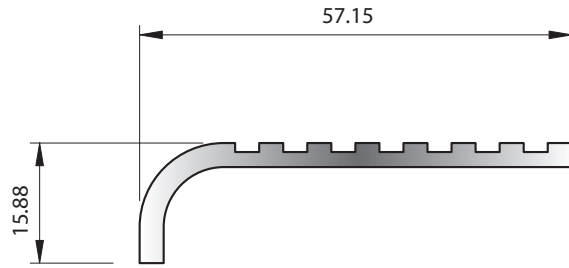
SECTION No. J830  
0.160 kg/m  
P = 70.50



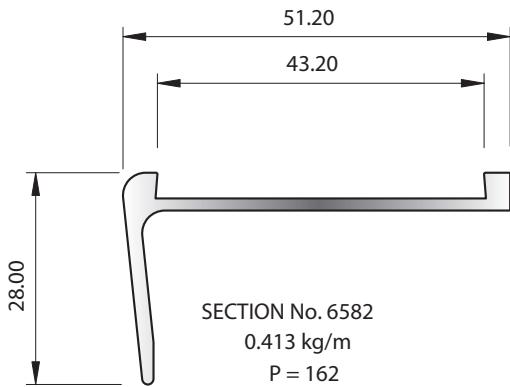
SECTION No. 6167  
0.187 kg/m  
P = 74.10



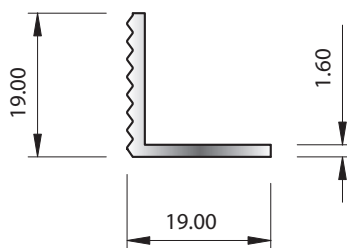
SECTION No. 0329  
0.209 kg/m  
P = 95



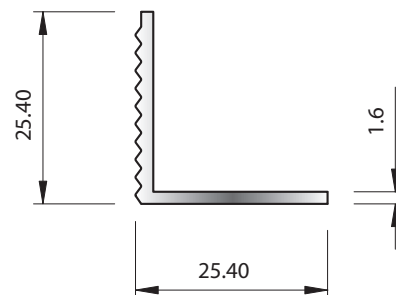
SECTION No. 0360  
0.493 kg/m  
P = 155



SECTION No. 6582  
0.413 kg/m  
P = 162

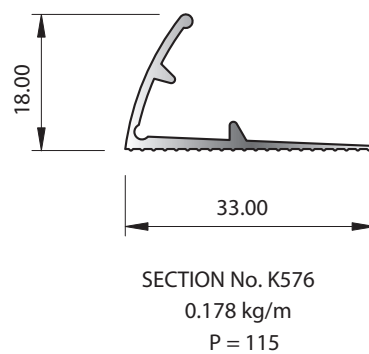
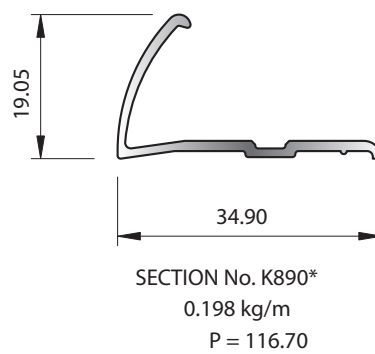
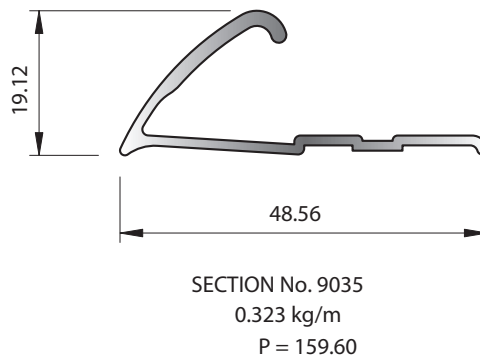
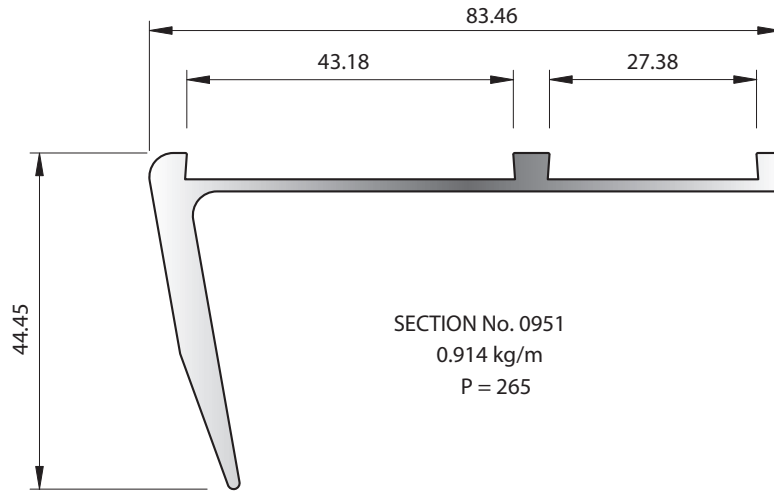


SECTION No. K967  
0.174 kg/m  
P = 78.30



SECTION No. K968  
0.234 kg/m  
P = 104.80

## Stair Treads and Nosings Group 3.4.2

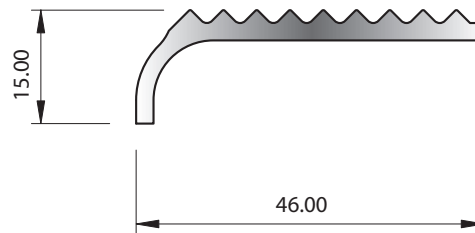


\* SOME SPECIAL TOLERANCES APPLY

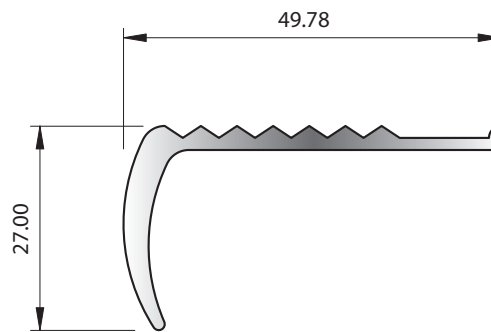


McKechnie®  
Transforming Aluminium

## Stair Treads and Nosings Group 3.4.3



SECTION No. K733  
0.420 kg/m  
P = 123.33



SECTION No. 0733  
0.489 kg/m  
P = 152.94