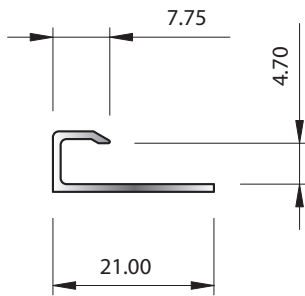


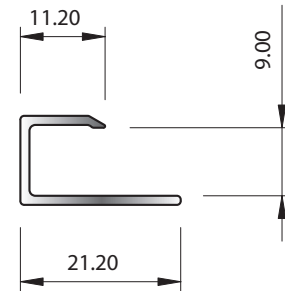


McKechnie®
Transforming Aluminium

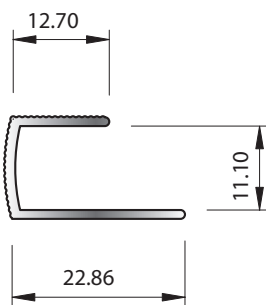
Wallboard Joints Group 3.6.1



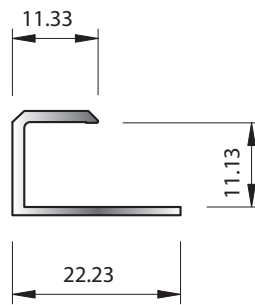
SECTION No. 1826
0.091 kg/m
P = 68.19



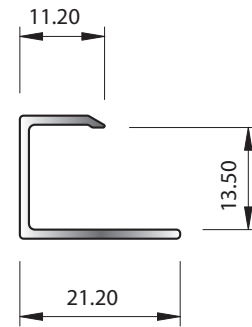
SECTION No. 5386
0.134 kg/m
P = 84



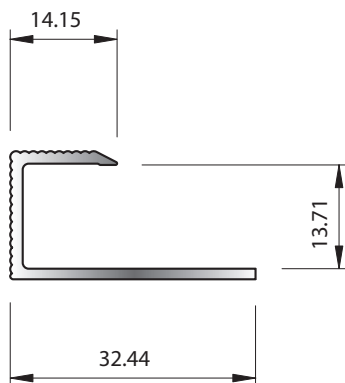
SECTION No. 3854
0.154 kg/m
P = 99



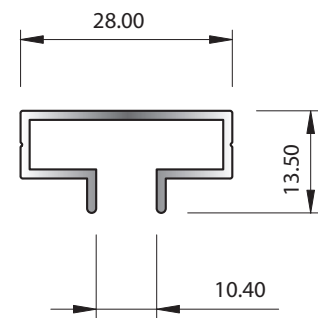
SECTION No. 0785
0.153 kg/m
P = 90



SECTION No. 5387
0.148 kg/m
P = 93

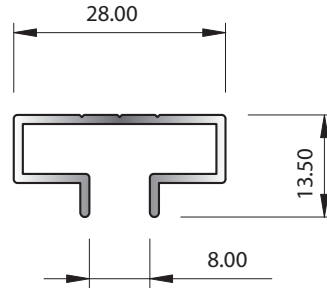


SECTION No. 2158
0.240 kg/m
P = 125.01

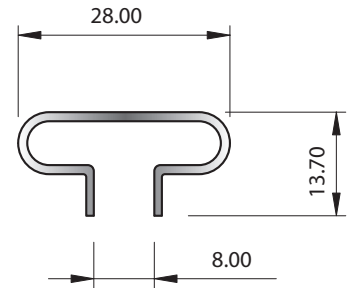


SECTION No. Z132
0.227 kg/m
P = 141.75

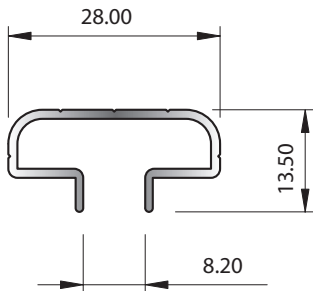
Wallboard Joints Group 3.6.2



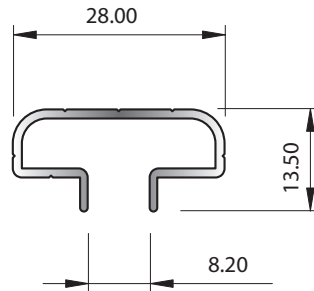
SECTION No. K607*
0.226 kg/m
P = 141.20



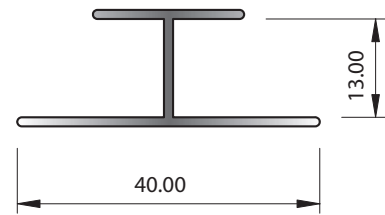
SECTION No. G451*
0.204 kg/m
P = 130.55



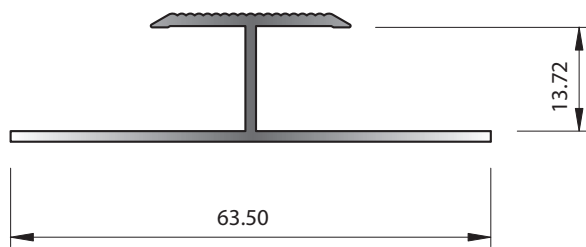
SECTION No. K080
0.176 kg/m
P = 134.94



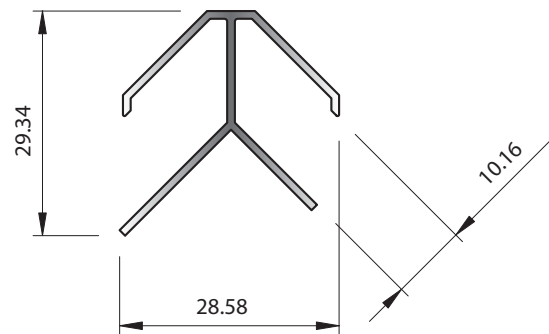
SECTION No. 30040
0.207 kg/m
P = 134.03



SECTION No. 6864
0.235 kg/m
P = 146



SECTION No. 2159
0.397 kg/m
P = 211

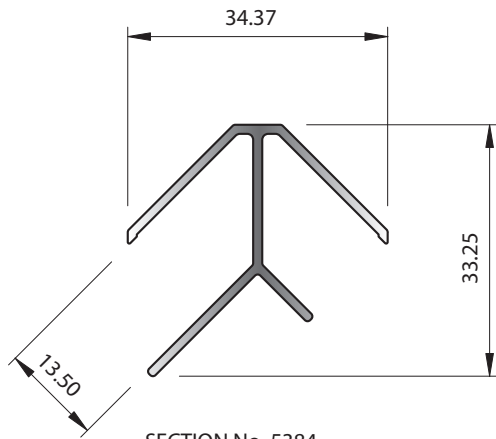


SECTION No. 1983
0.249 kg/m
P = 183

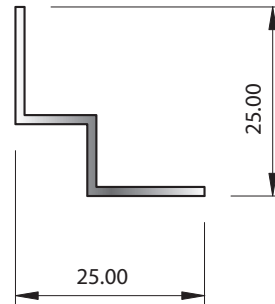
* SOME SPECIAL TOLERANCES APPLY



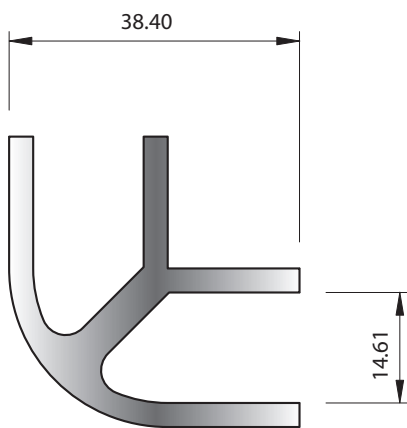
Wallboard Joints Group 3.6.3



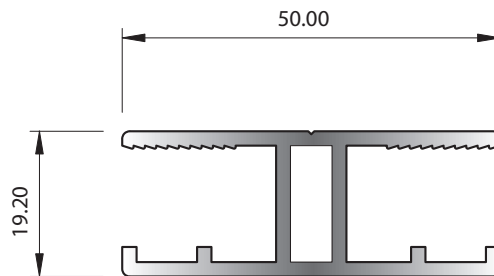
SECTION No. 5384
0.304 kg/m
P = 188



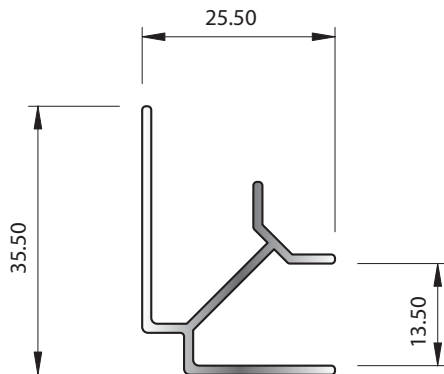
SECTION No. 8317
0.158 kg/m
P = 100



SECTION No. 1063
1.095 kg/m
P = 234



SECTION No. X248
0.730 kg/m
P = 241.92



SECTION No. 5380
0.299 kg/m
P = 184