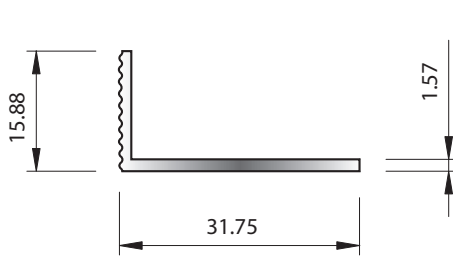
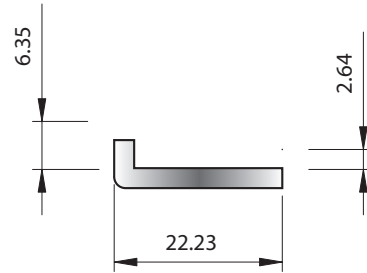


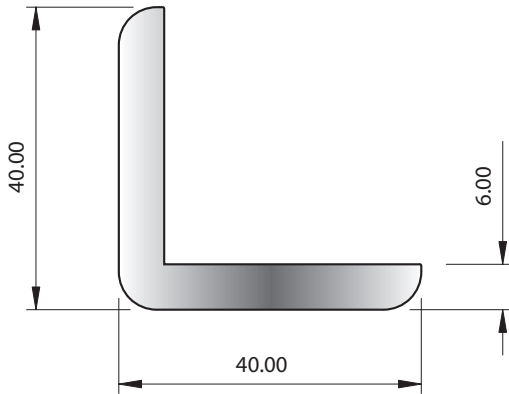
Miscellaneous Angles Group 1.11.1



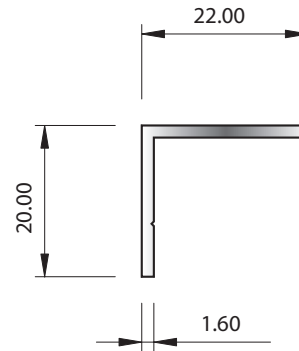
SECTION No. 2089
0.187 kg/m
P = 97



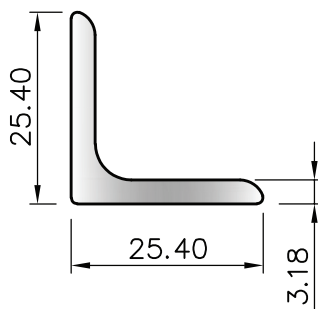
SECTION No. 0708
0.184 kg/m
P = 57



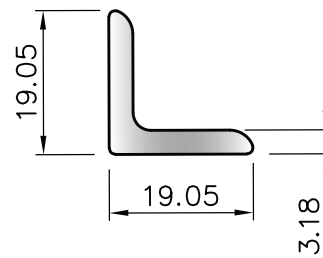
SECTION No. Z464
1.160 kg/m
P = 153.39



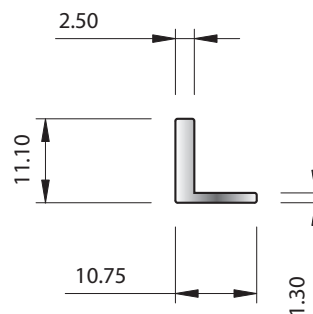
SECTION No. 30950
0.175 kg/m
P = 84.25



SECTION No. 38185
0.413 kg/m
P = 100



SECTION No. 38186
0.293 kg/m
P = 100



SECTION No. 30366
0.104 kg/m
P = 43.06