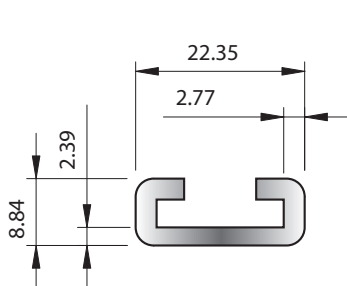
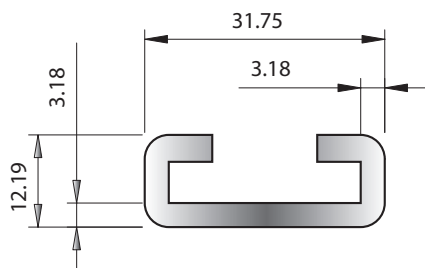


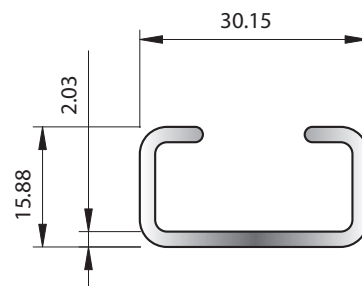
## Miscellaneous Channels Group 1.12.2



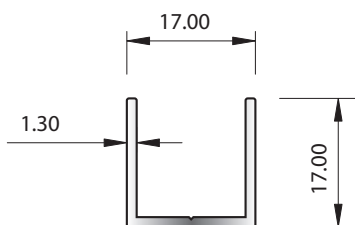
SECTION No. 0876  
0.282 kg/m  
P = 86



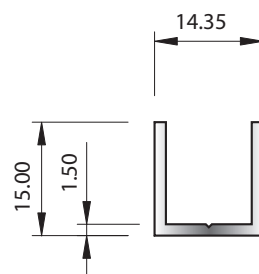
SECTION No. 0877  
0.518 kg/m  
P = 122.08



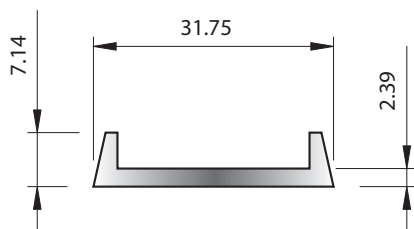
SECTION No. 2335  
0.361 kg/m  
P = 134.40



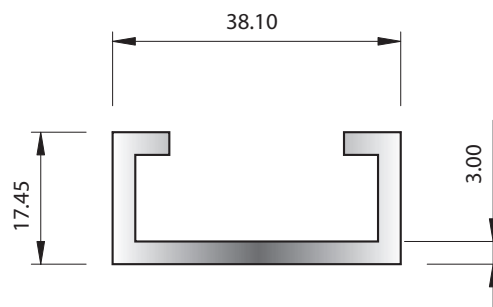
SECTION No. 31017  
0.170 kg/m  
P = 98.88



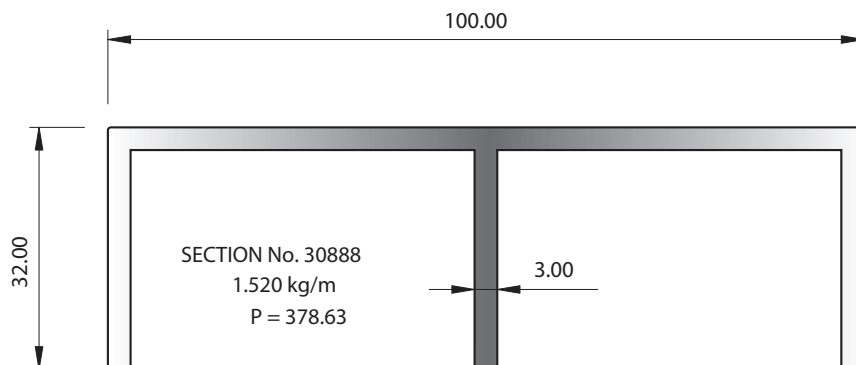
SECTION No. 5590  
0.167 kg/m  
P = 85.70



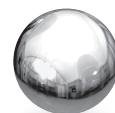
SECTION No. 1417  
0.255 kg/m  
P = 84



SECTION No. K973  
0.618 kg/m  
P = 158

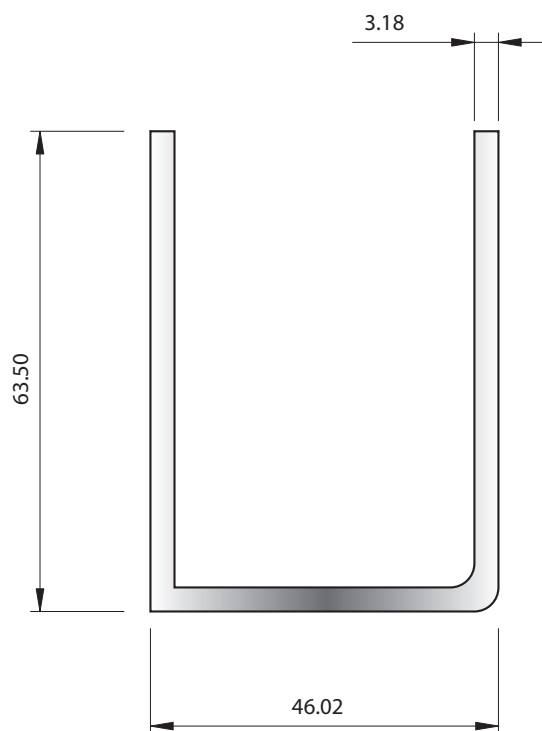


SECTION No. 30888  
1.520 kg/m  
P = 378.63

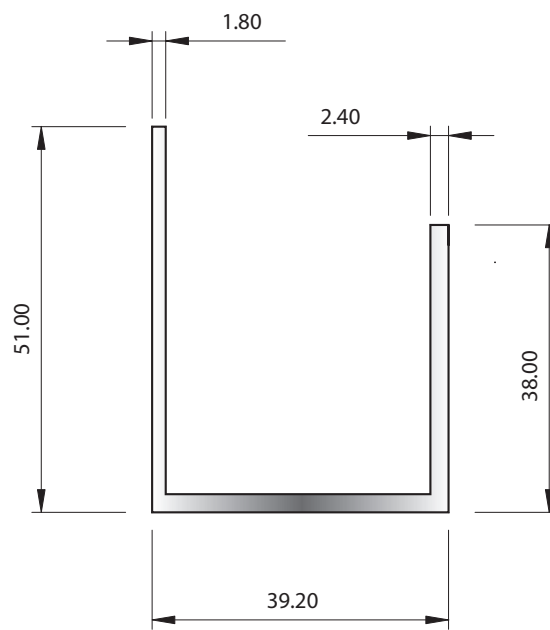


McKechnie®  
Transforming Aluminium

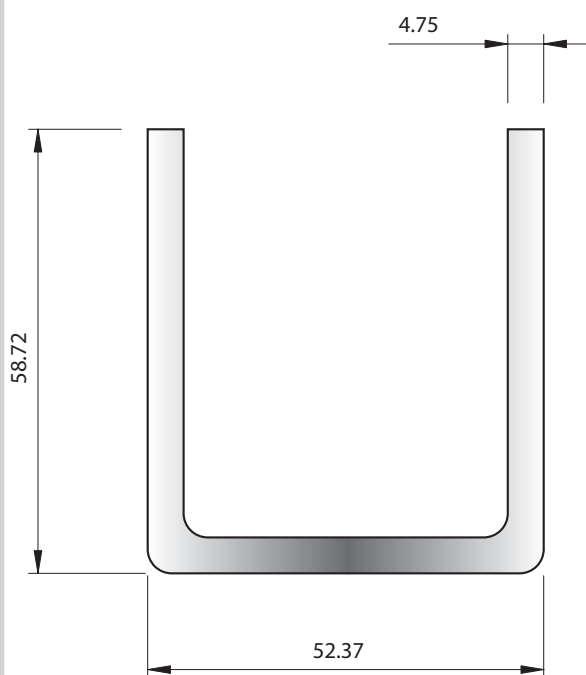
# Miscellaneous Channels Group 1.12.3



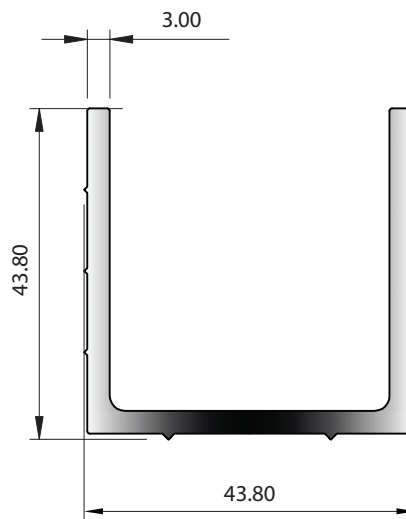
SECTION No. 3503  
1.431 kg/m  
P = 337



SECTION No. 6323  
0.720 kg/m  
P = 251.60



SECTION No. 2042  
2.056 kg/m  
P = 325



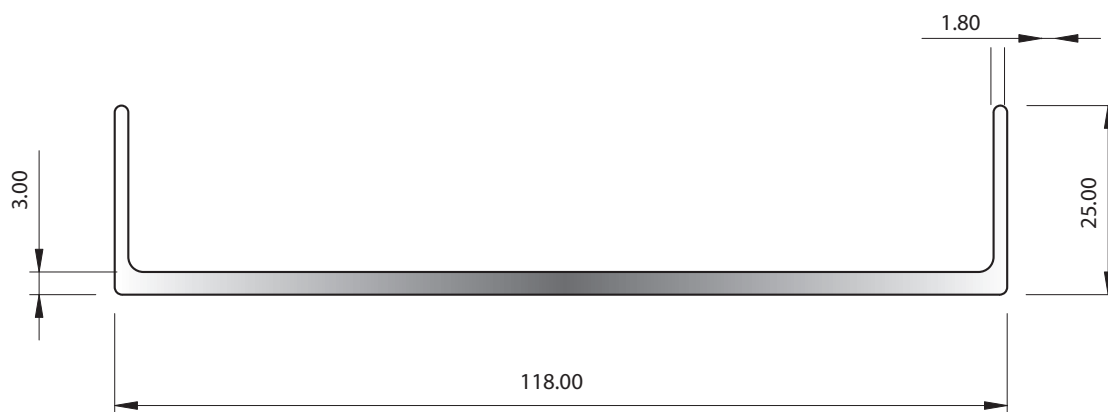
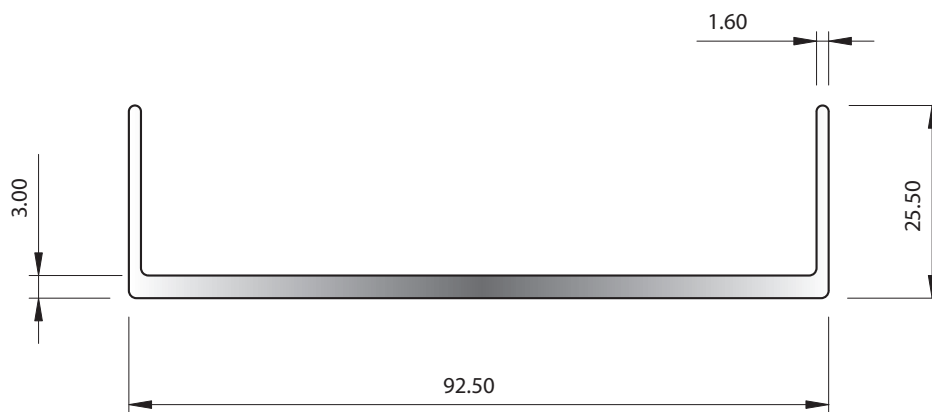
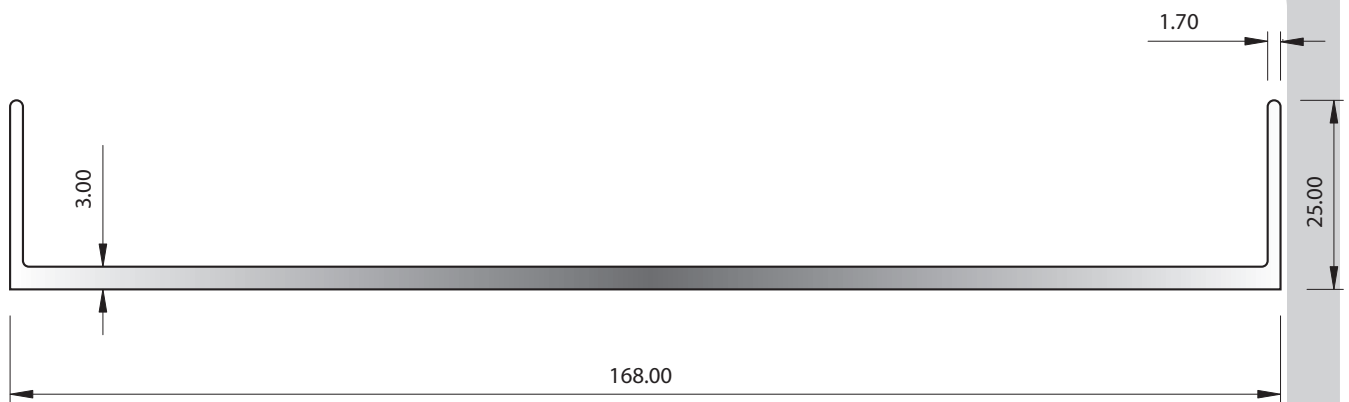
SECTION No. 36089  
1.010 kg/m  
P = 252.82

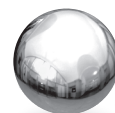
Miscellaneous Channels Group 1.12.3



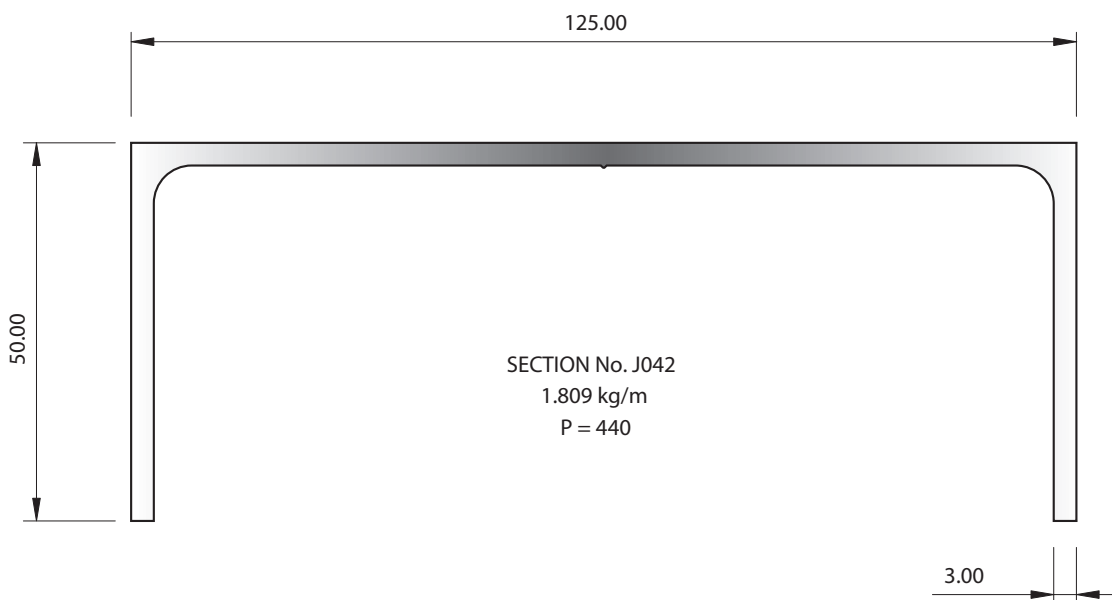
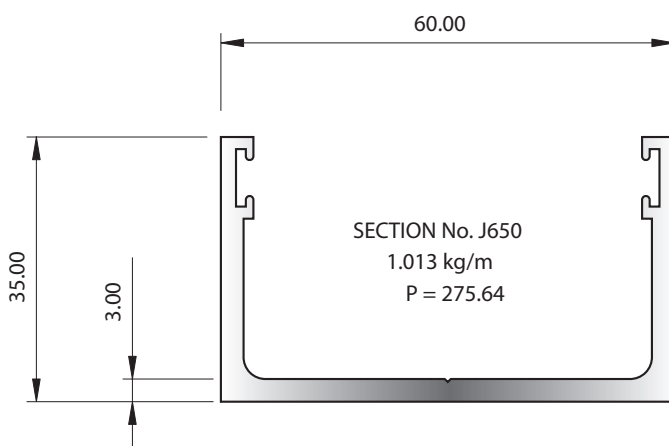
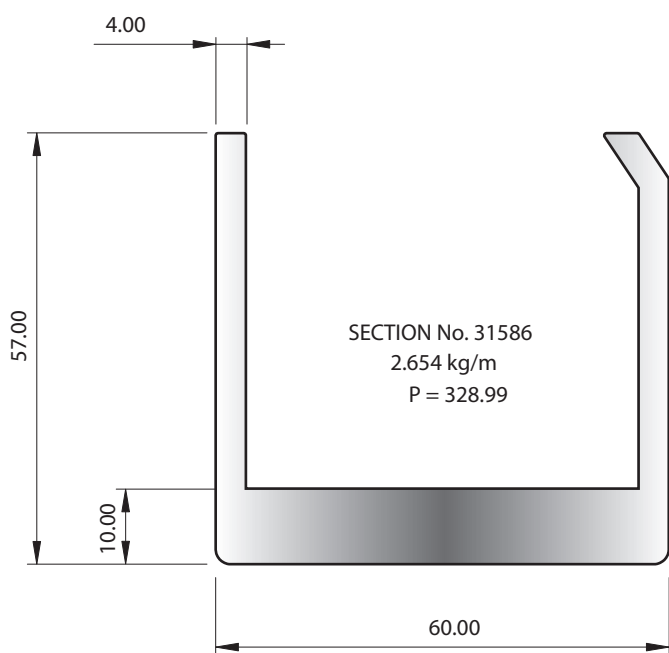
McKechnie®  
Transforming Aluminium

## Miscellaneous Channels Group 1.12.4

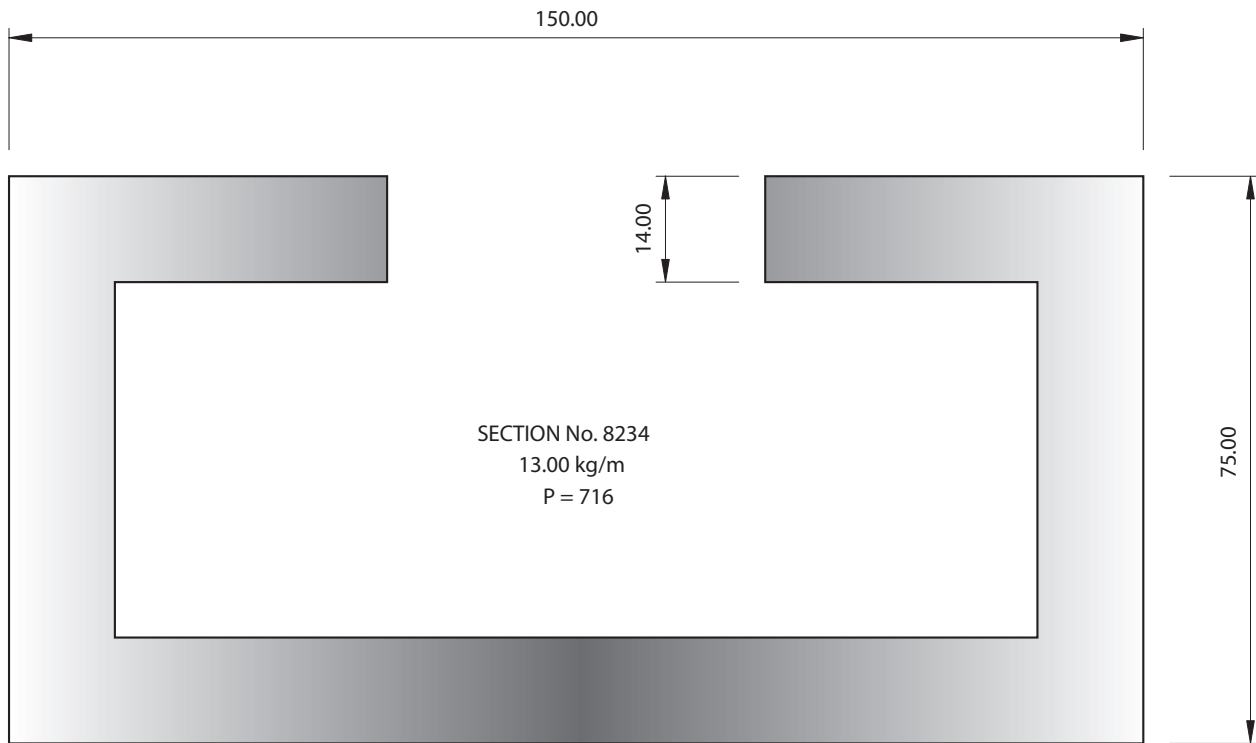




# Miscellaneous Channels Group 1.12.5



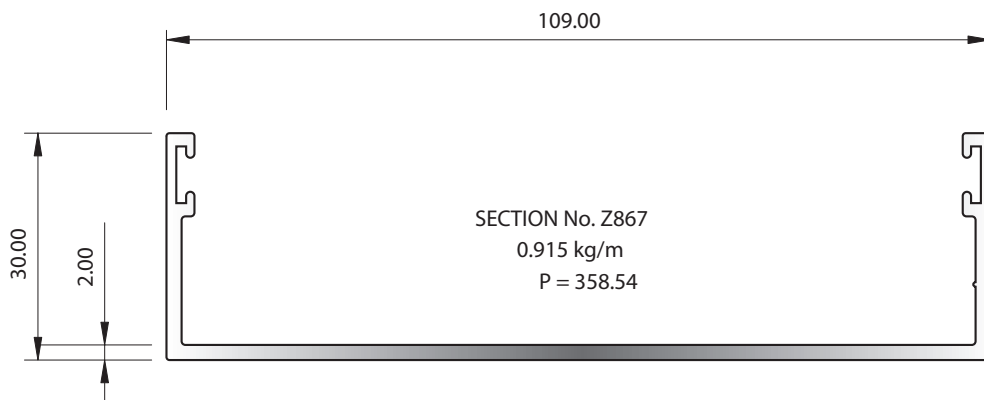
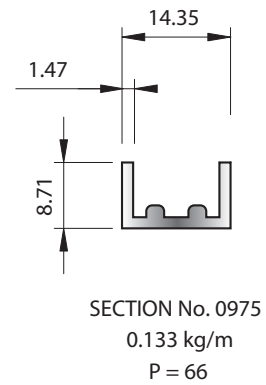
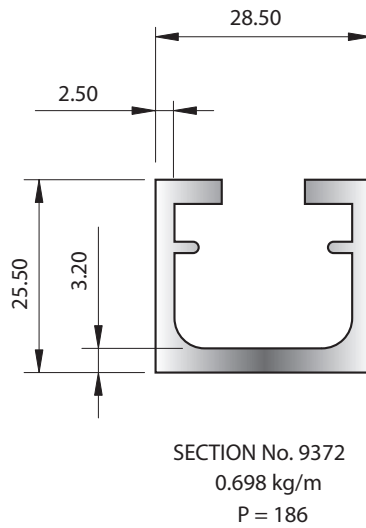
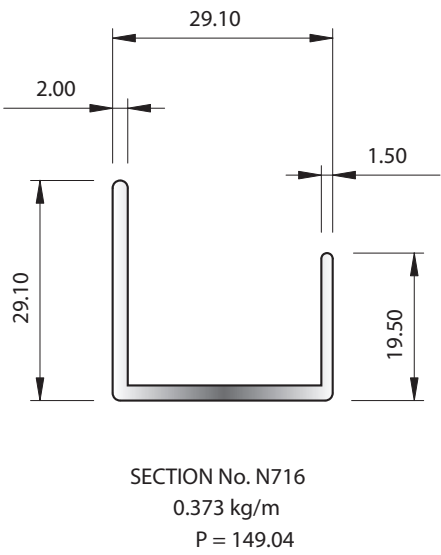
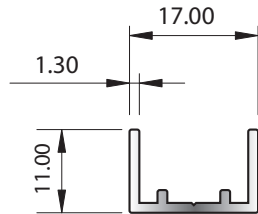
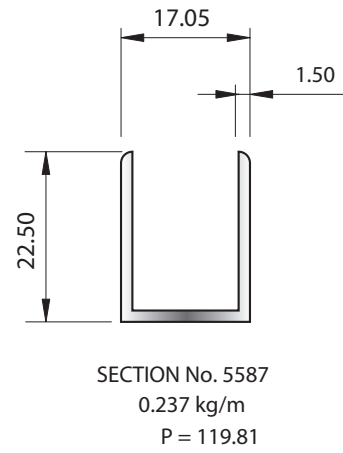
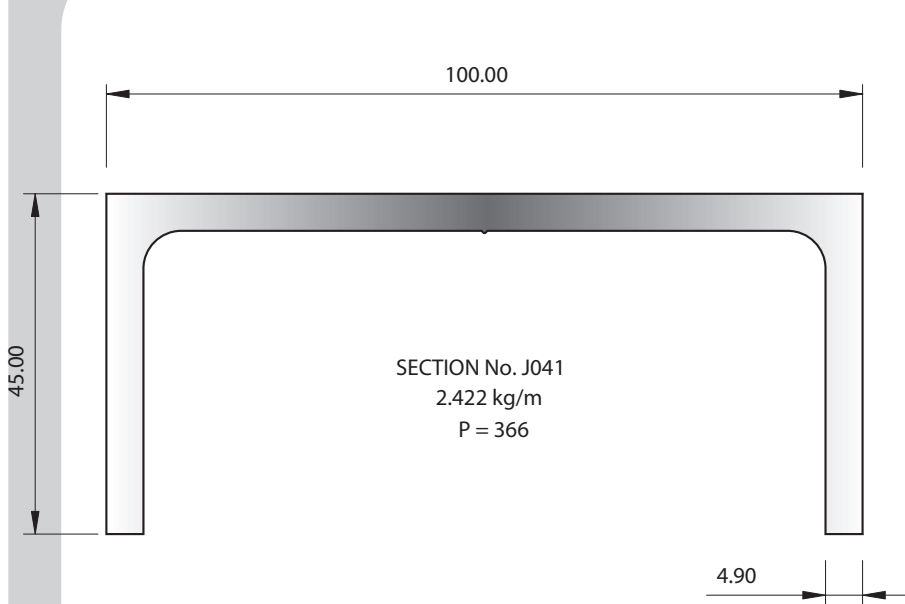
## Miscellaneous Channels Group **1.12.6**



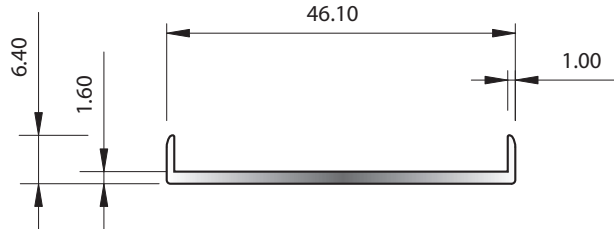


McKechnie®  
Transforming Aluminium

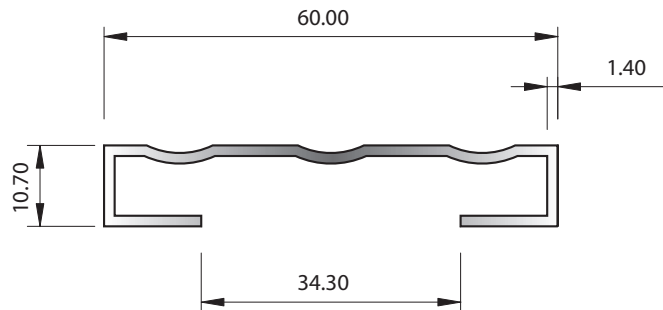
# Miscellaneous Channels Group 1.12.7



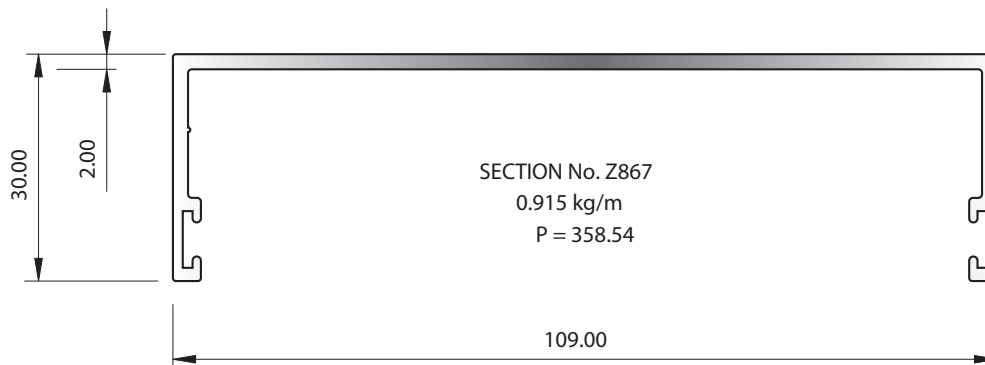
## Miscellaneous Channels Group 1.12.8



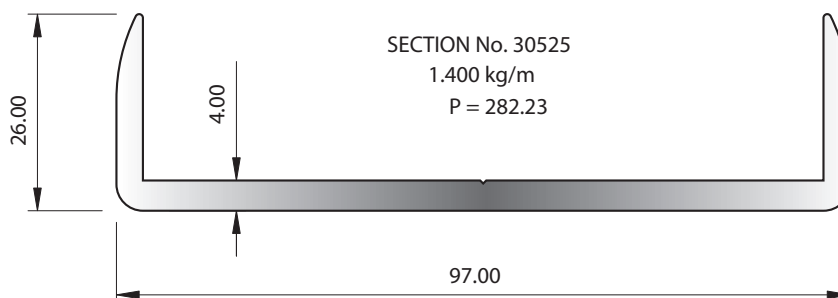
SECTION No. K768\*  
0.224 kg/m  
P = 113.08



SECTION No. 8305\*  
0.387 kg/m  
P = 200.85

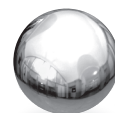


SECTION No. Z867  
0.915 kg/m  
P = 358.54



SECTION No. 30525  
1.400 kg/m  
P = 282.23

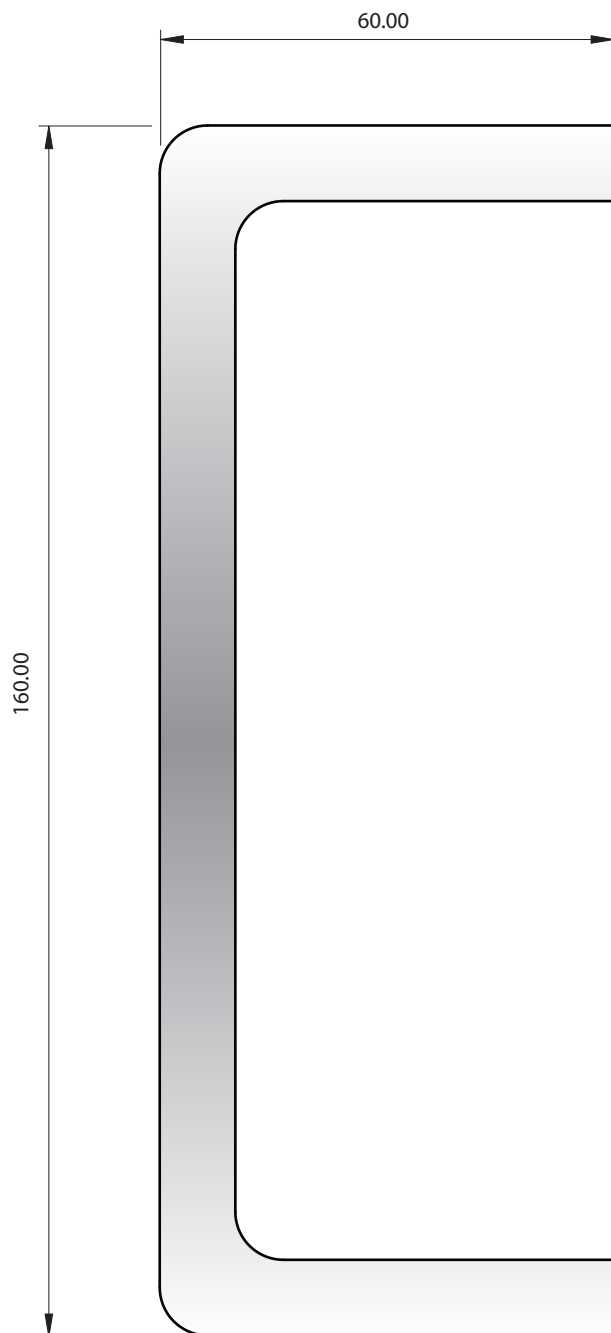
\* SOME SPECIAL TOLERANCES APPLY



McKechnie®  
Transforming Aluminium

# Miscellaneous Channels Group 1.12.9

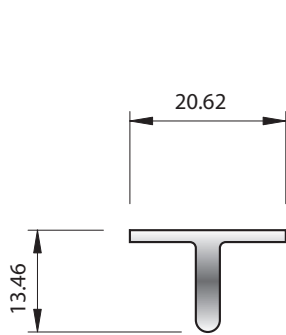
Miscellaneous Channels Group 1.12.9



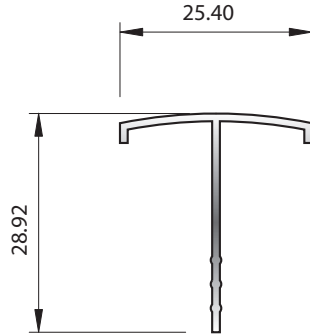
SECTION No. 33269  
7.046 kg/m  
P = 529.10



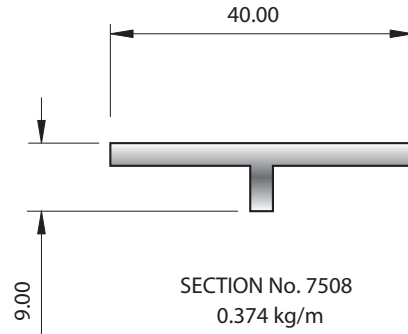
## Miscellaneous Tees Group 1.13.1



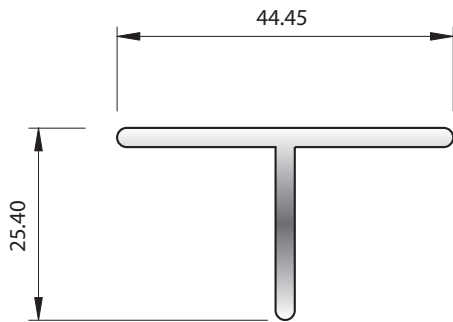
SECTION No. 0410  
0.187 kg/m  
P = 66



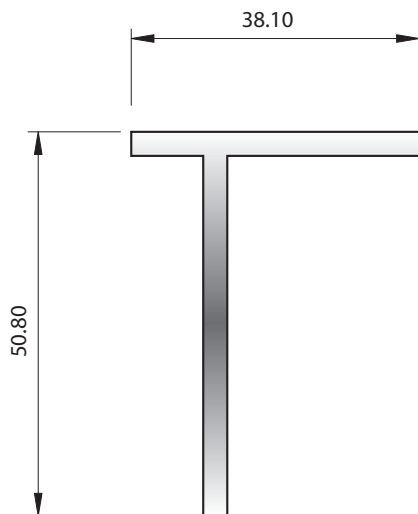
SECTION No. 4159  
0.158 kg/m  
P = 107.80



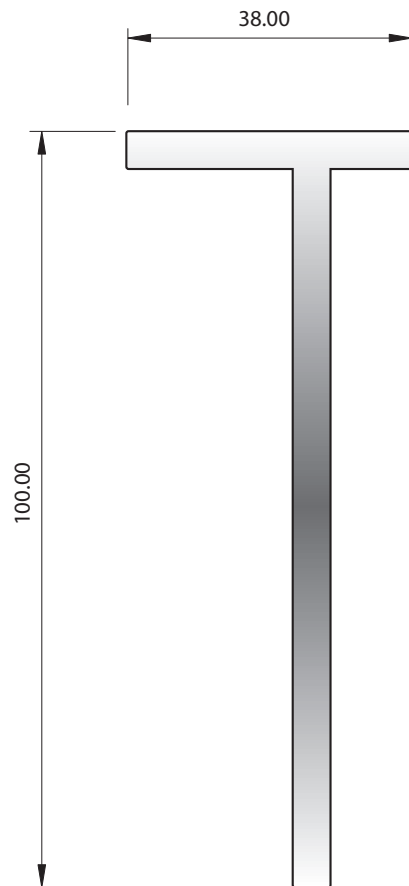
SECTION No. 7508  
0.374 kg/m  
P = 98



SECTION No. 0637  
0.458 kg/m  
P = 135.75



SECTION No. 1614  
0.736 kg/m  
P = 178



SECTION No. 30111  
1.802 kg/m  
P = 275.23

\* SOME SPECIAL TOLERANCES APPLY