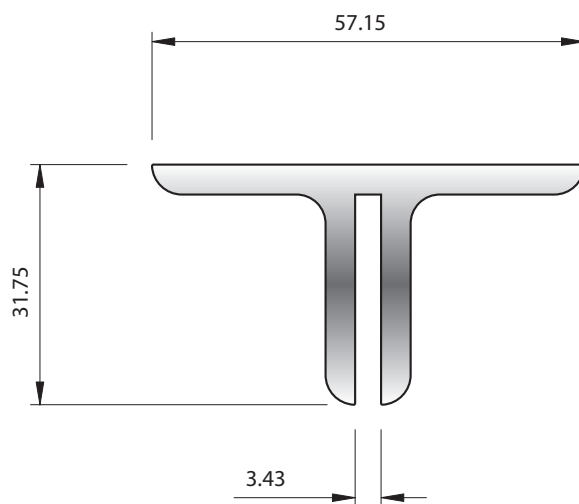


McKechnie®
Transforming Aluminium

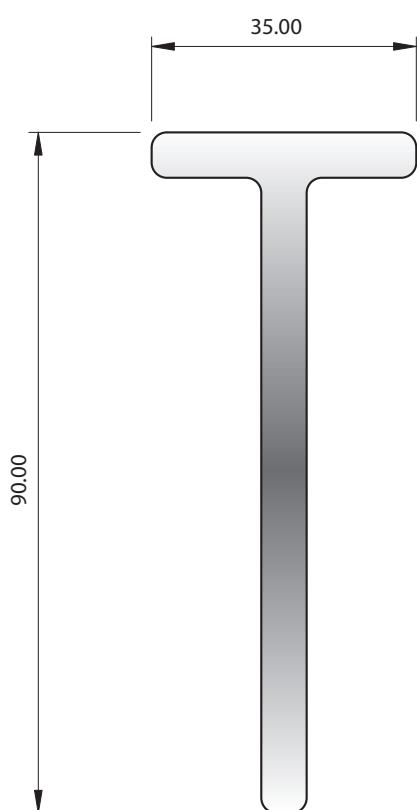
Miscellaneous Tees Group 1.13.2



SECTION No. 0656

1.180 kg/m

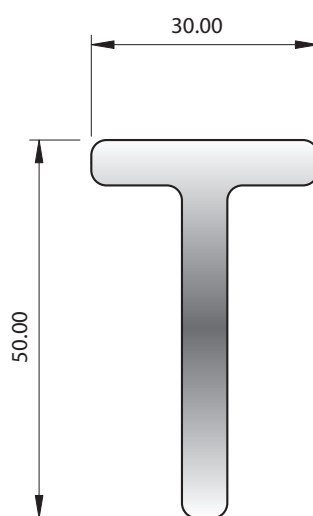
P = 223



SECTION No. 8126

1.919 kg/m

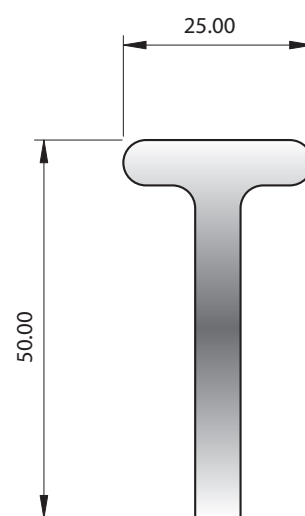
P = 243.13



SECTION No. 8127

1.189 kg/m

P = 153.13



SECTION No. 30887

1.111 kg/m

P = 141.93