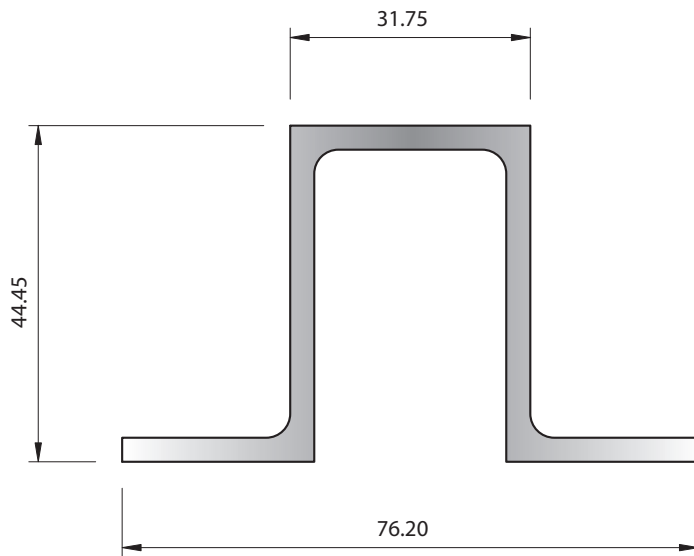


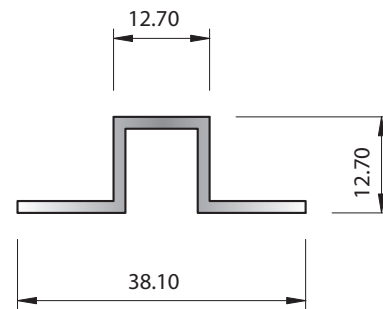


McKechnie®  
Transforming Aluminium

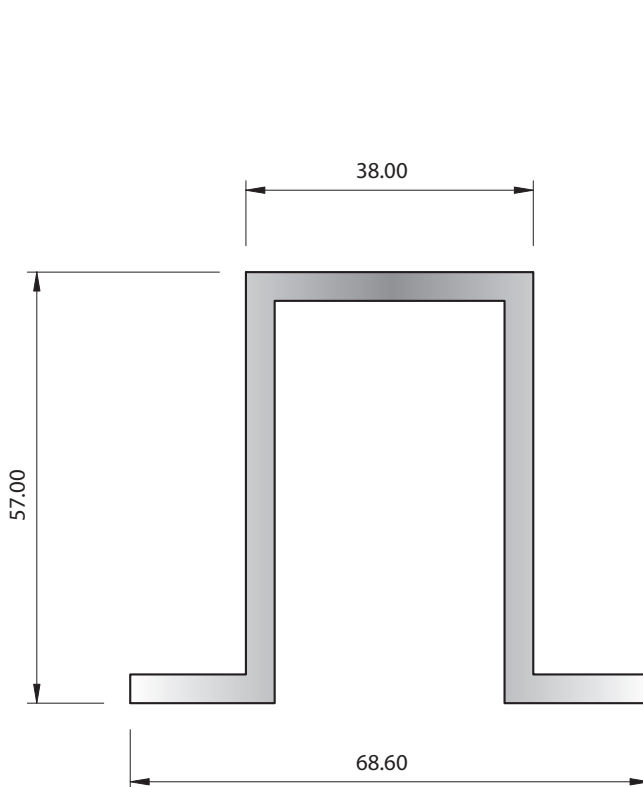
## Top Hats Group 1.10.2



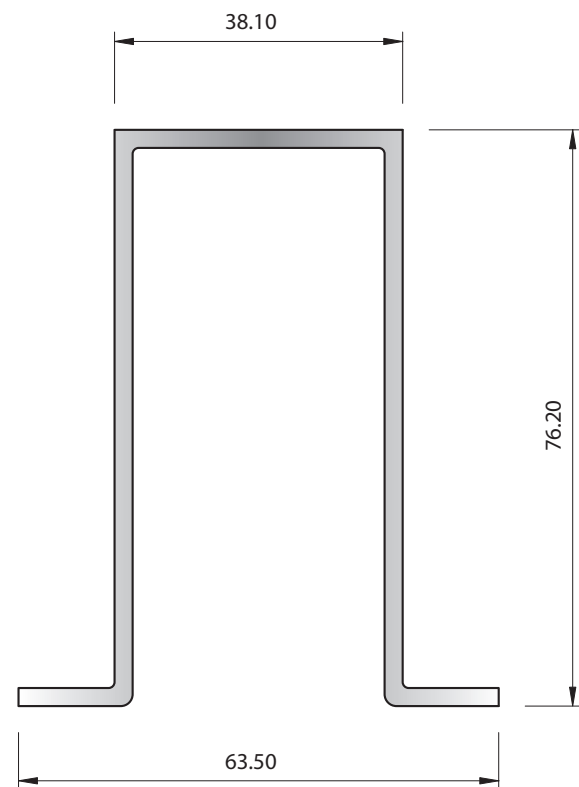
SECTION No. 0644  
1.386 kg/m  
P = 318



SECTION No. 4519  
0.256 kg/m  
P = 124



SECTION No. 5081  
1.798 kg/m  
P = 358

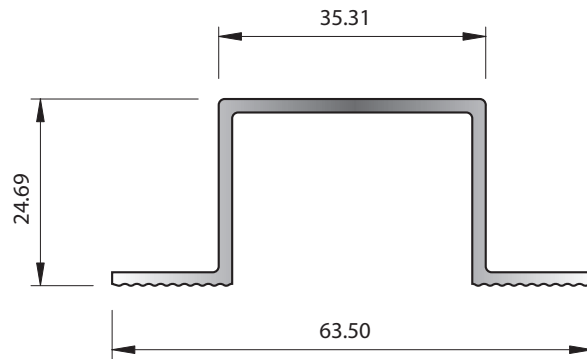


SECTION No. 2418  
1.361 kg/m  
P = 424

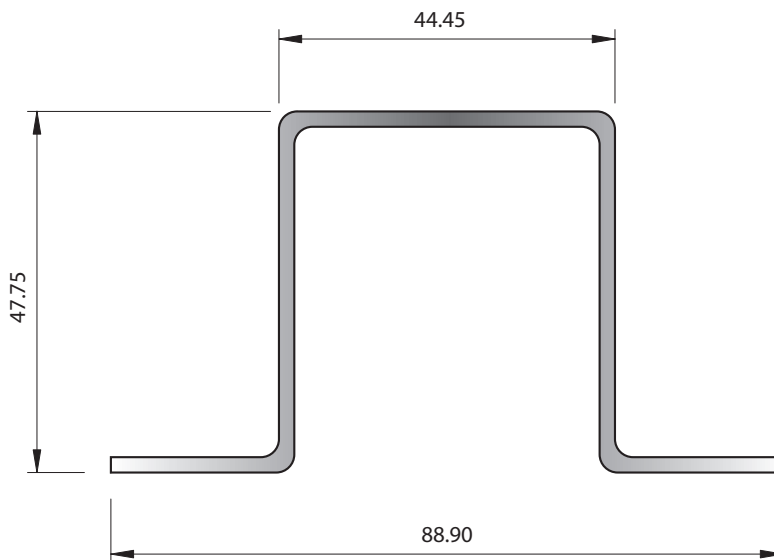


McKechnie®  
Transforming Aluminium

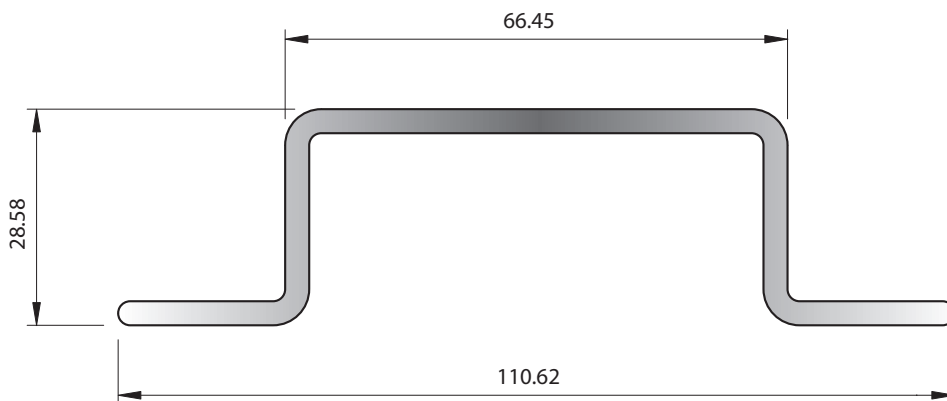
## Top Hats Group 1.10.3



SECTION No. 2184\*  
0.517 kg/m  
P = 221.21

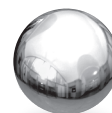


SECTION No. 0954  
0.988 kg/m  
P = 357



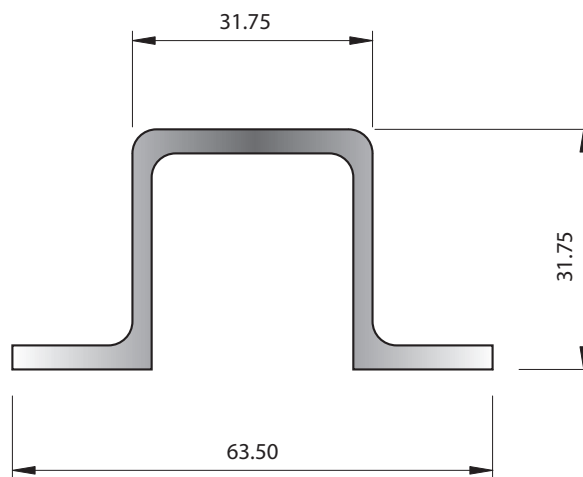
SECTION No. 0687  
1.333 kg/m  
P = 316

\* SOME SPECIAL TOLERANCES APPLY

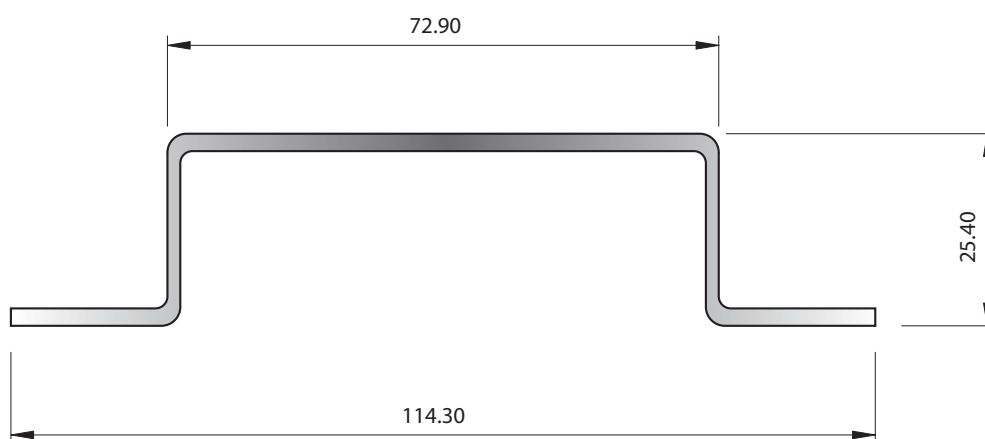


McKechnie®  
Transforming Aluminium

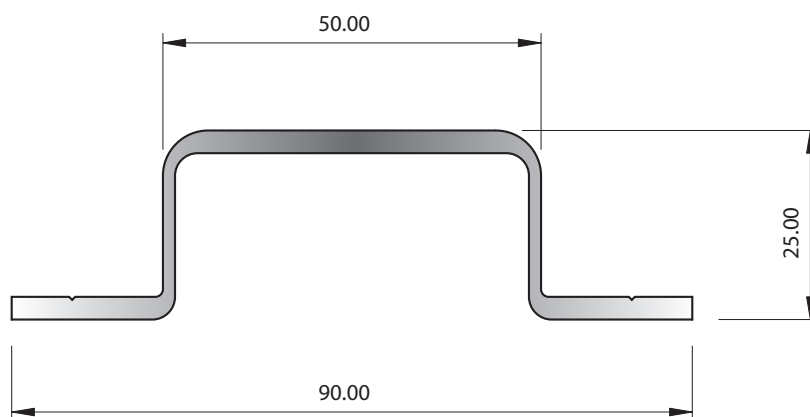
## Top Hats Group 1.10.4



SECTION No. Z741  
0.952 kg/m  
P = 239.45



SECTION No. 7205  
0.902 kg/m  
P = 317.64



SECTION No. G481  
0.881 kg/m  
P = 263.50