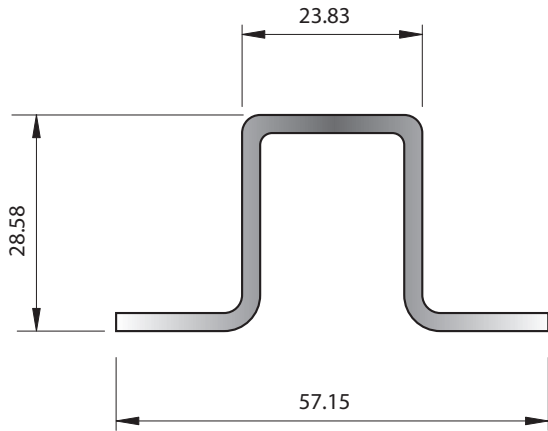


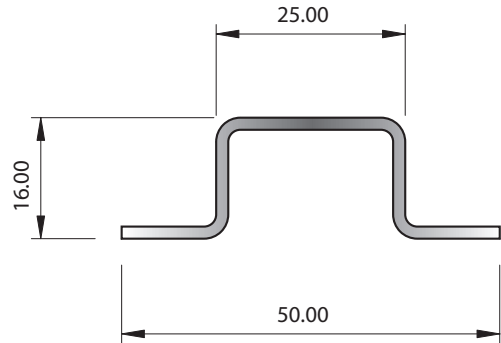


McKechnie®
Transforming Aluminium

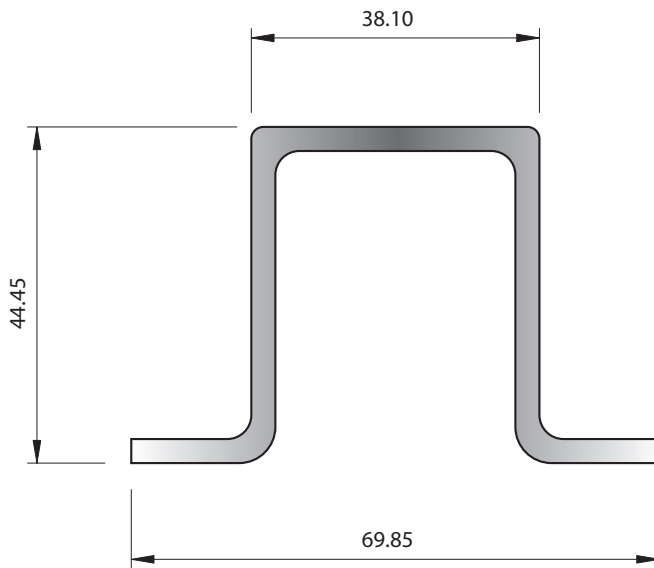
Top Hats Group 1.10.1



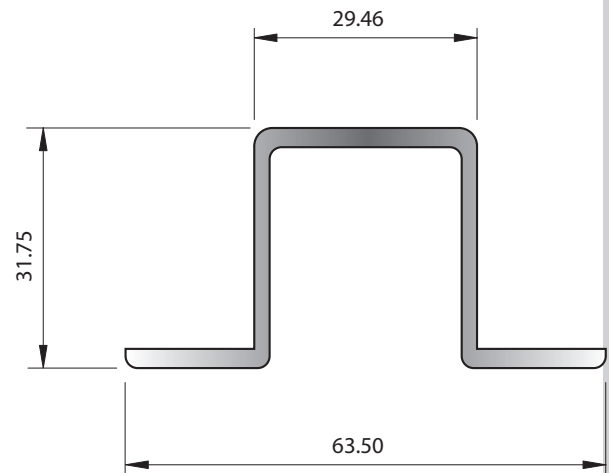
SECTION No. 0297*
0.727 kg/m
P = 212.69



SECTION No. 0582
0.323 kg/m
P = 153



SECTION No. 0296*
1.307 kg/m
P = 300.21



SECTION No. 0577*
0.746 kg/m
P = 243