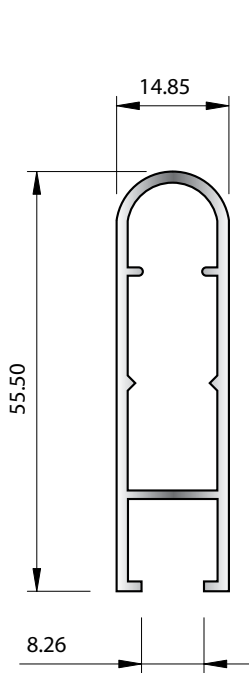


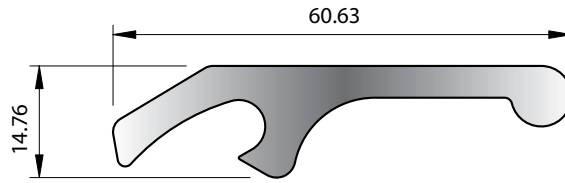


McKechnie®
Transforming Aluminium

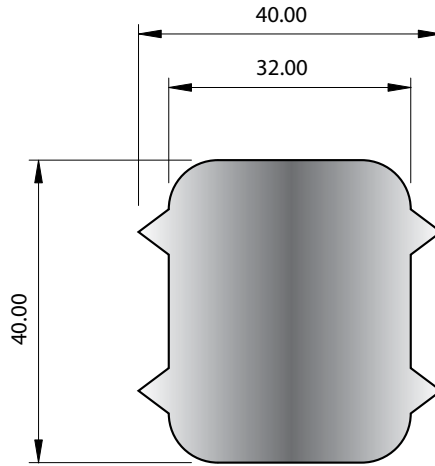
Miscellaneous Group Misc 5.1.1



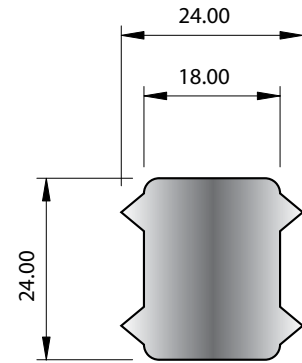
SECTION No. 4977
0.520 kg/m
Ext. P = 165.45



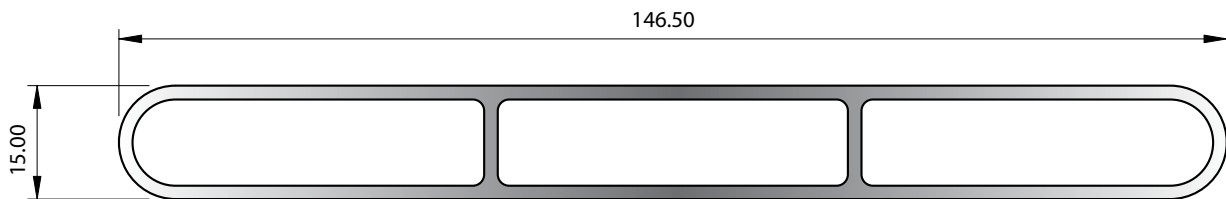
SECTION No. 7963
0.990 kg/m
P = 146.09



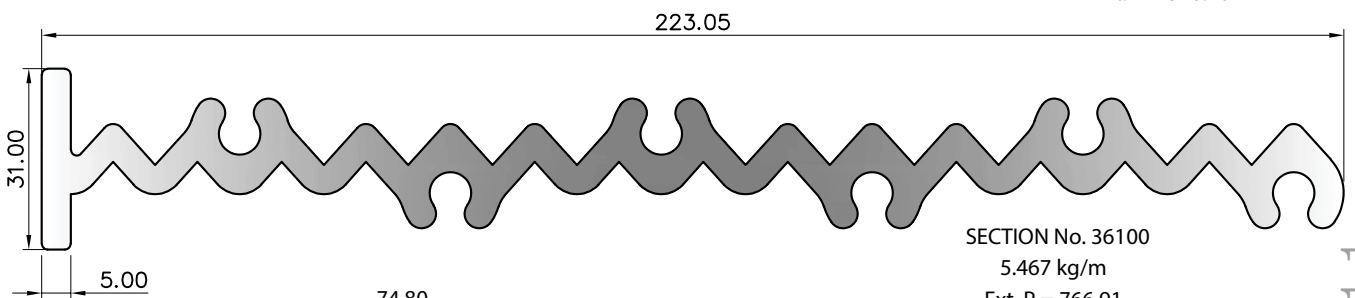
SECTION No. 8251
3.487 kg/m
P = 148.83



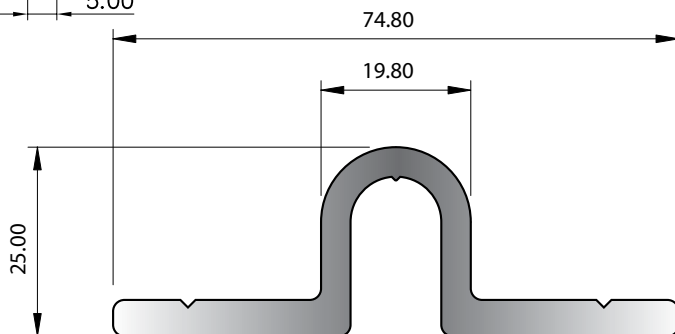
SECTION No. 8250
1.238 kg/m
P = 91.80



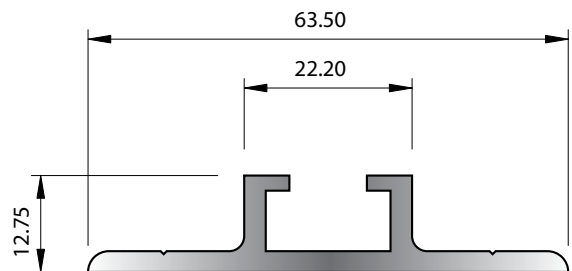
SECTION No. N592
1.607 kg/m
Ext. P = 310.10



SECTION No. 36100
5.467 kg/m
Ext. P = 766.91



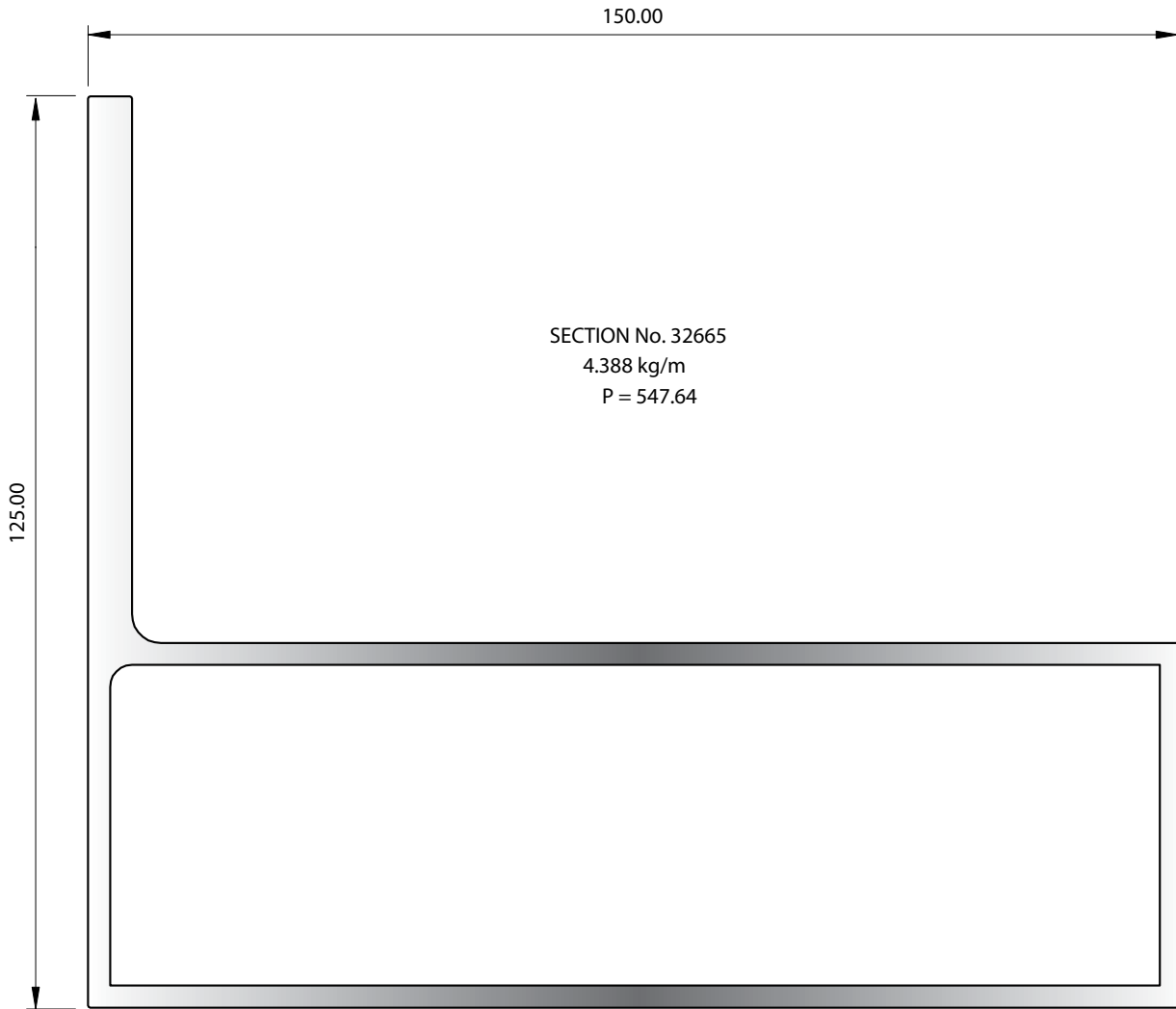
SECTION No. Z279
1.289 kg/m
P = 225.03

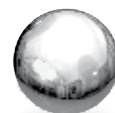


SECTION No. 6561
0.653 kg/m
P = 181



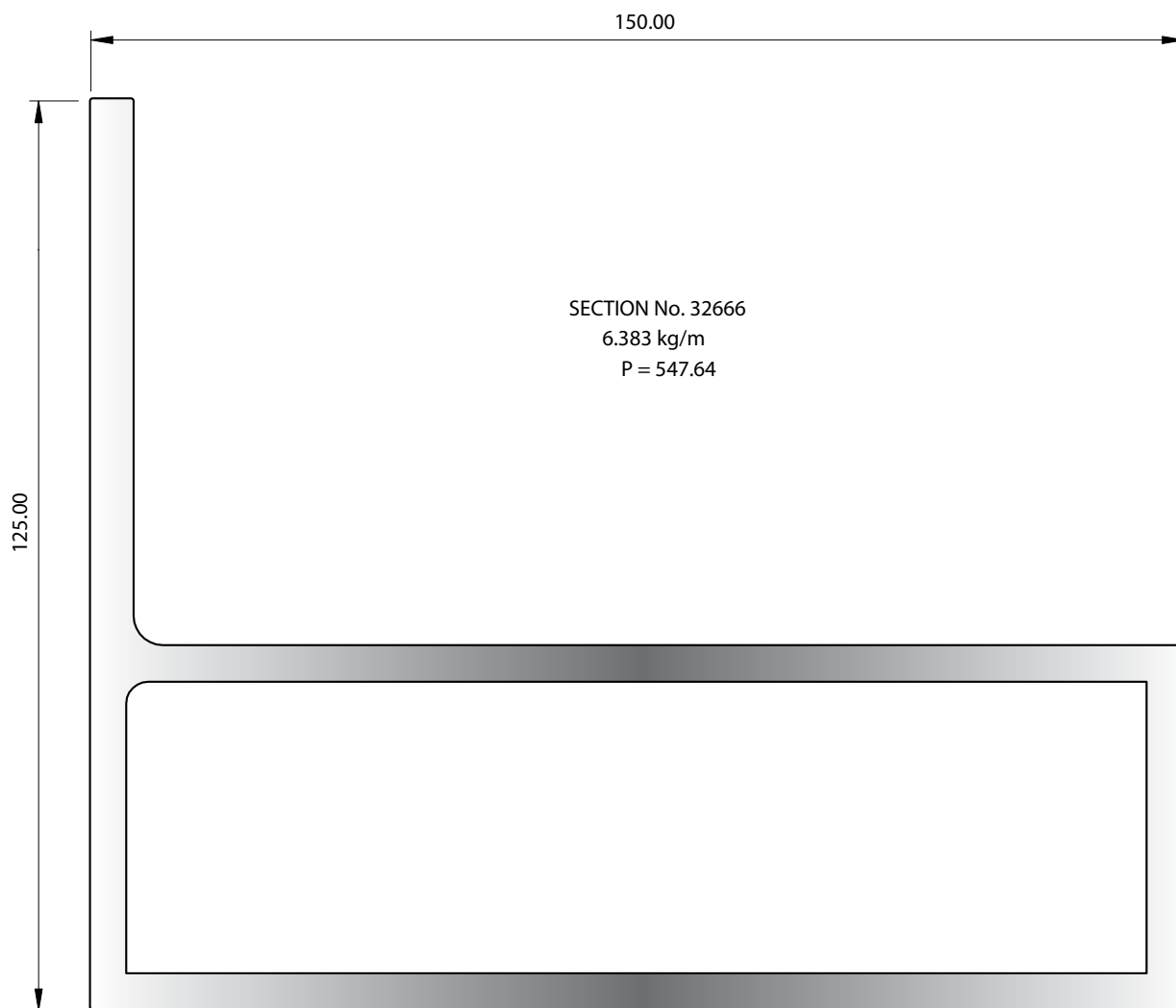
Miscellaneous Group Misc 5.1.2





McKechnie®
Transforming Aluminium

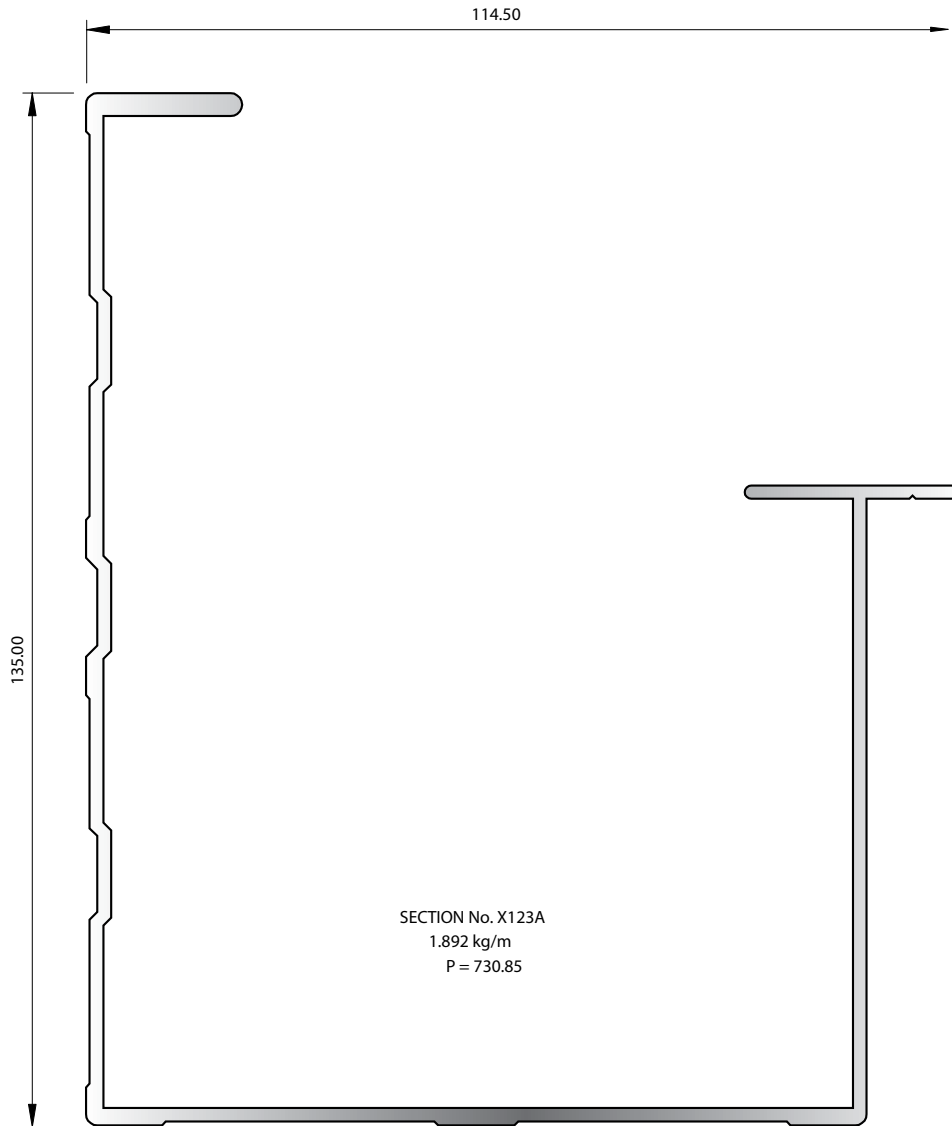
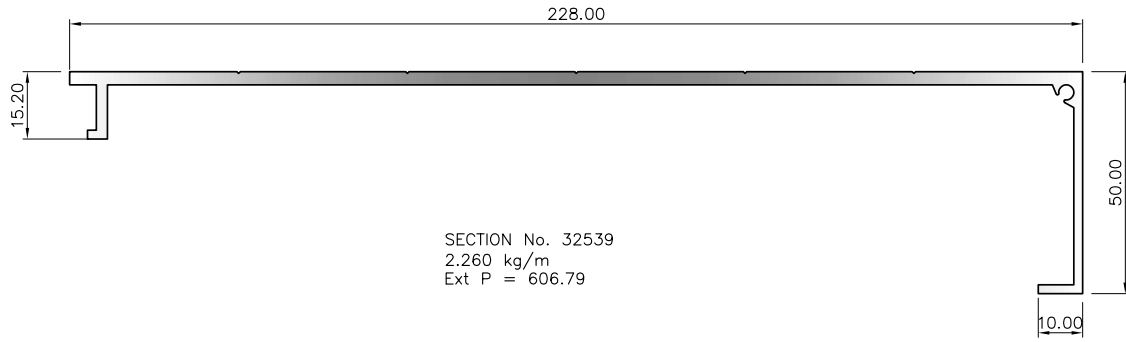
Miscellaneous Group Misc 5.1.3





McKechnie®
Transforming Aluminium

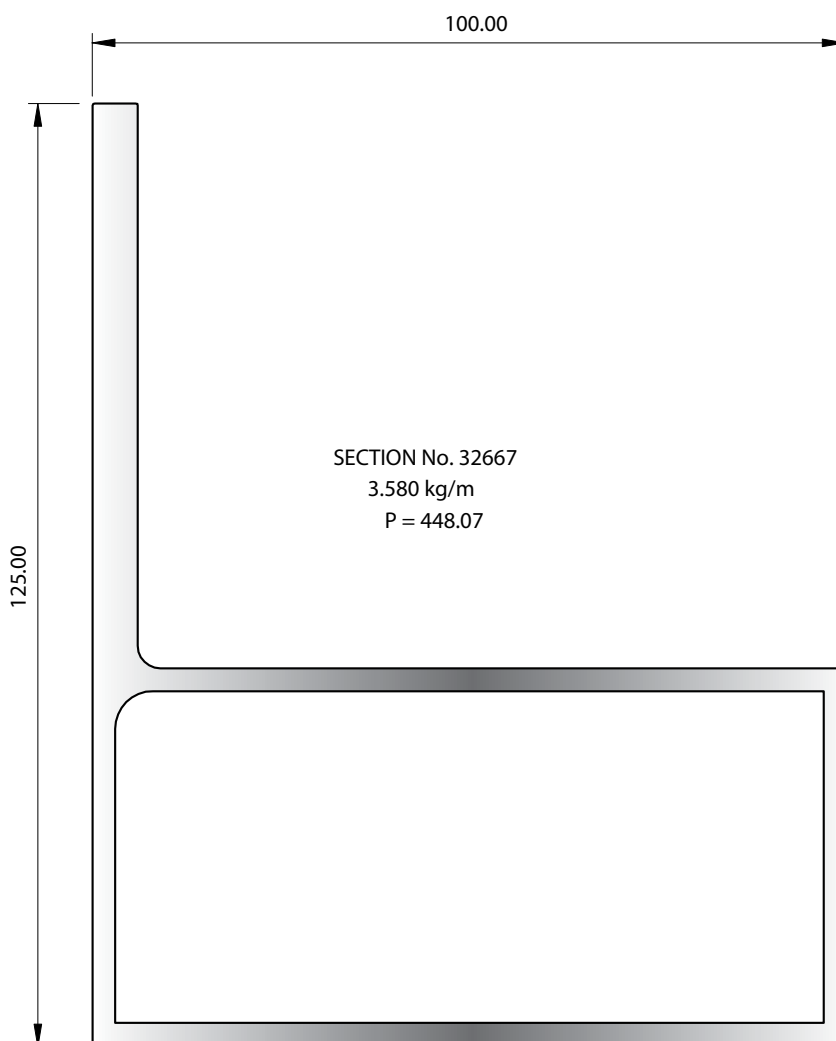
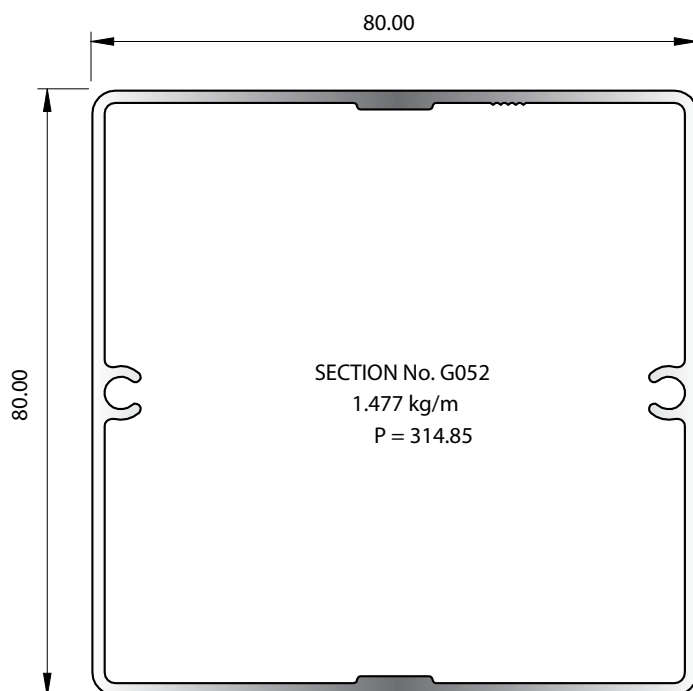
Miscellaneous Group Misc 5.1.4





McKechnie®
Transforming Aluminium

Miscellaneous Group Misc 5.1.5





Miscellaneous Group Misc 5.1.6

