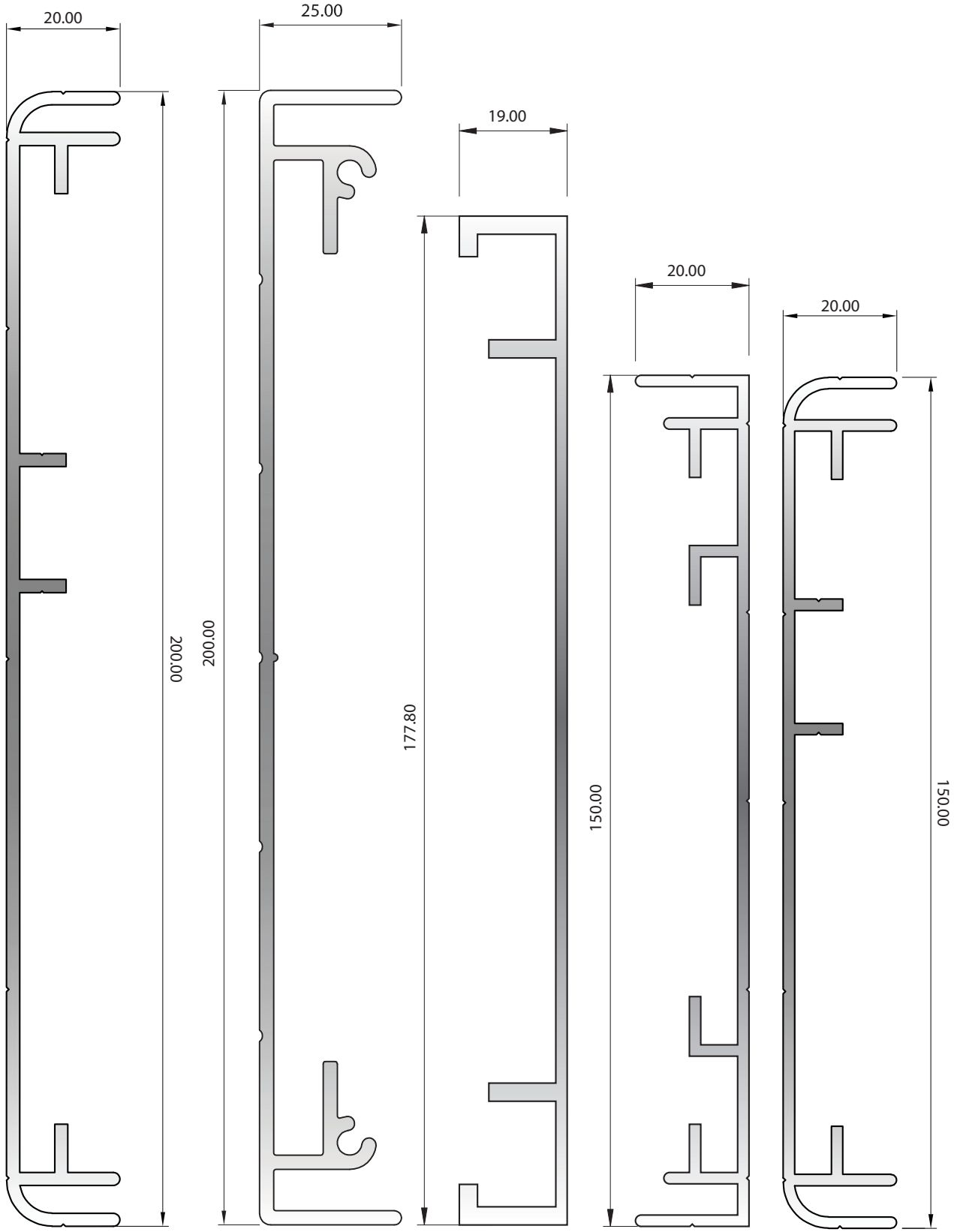




# Signs Group Misc 3.1.1



SECTION No. 35243  
1.850 kg/m  
P = 599.95

SECTION No. 37029  
2.177 kg/m  
P = 640.47

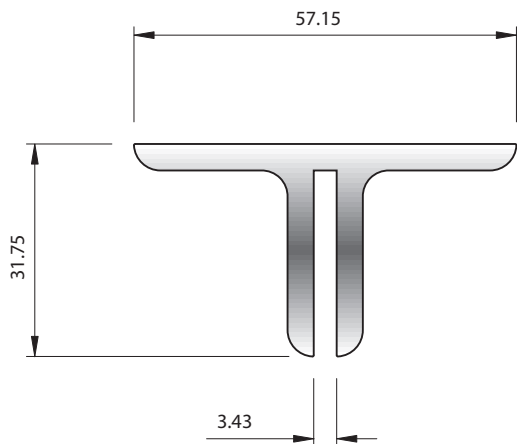
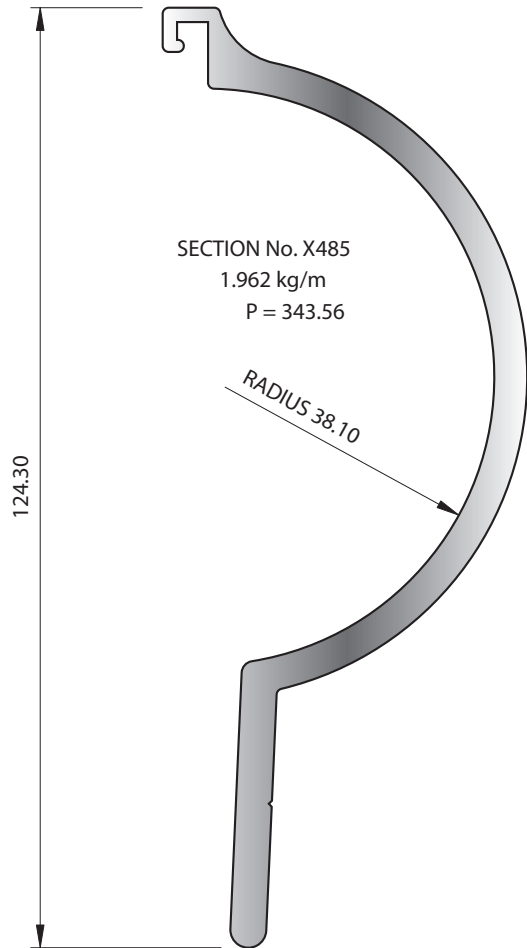
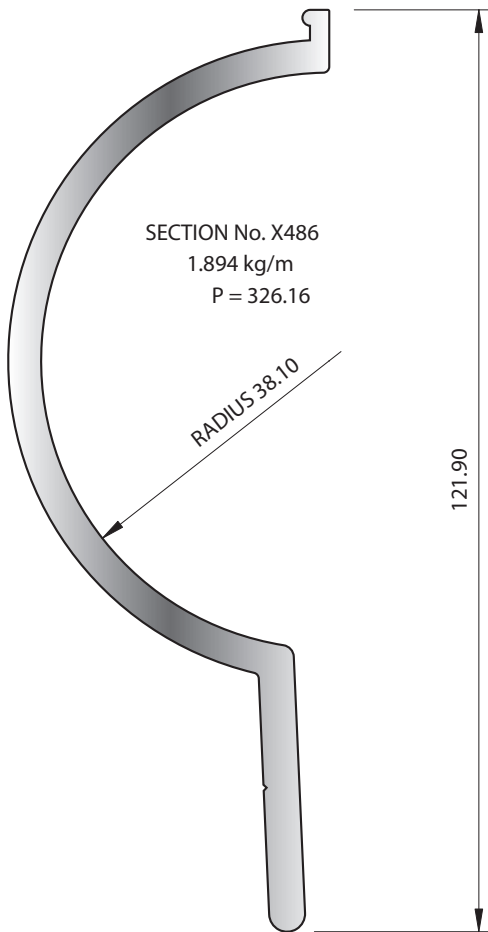
SECTION No. N065  
1.532 kg/m  
P = 490.60

SECTION No. X540  
1.418 kg/m  
P = 528.89

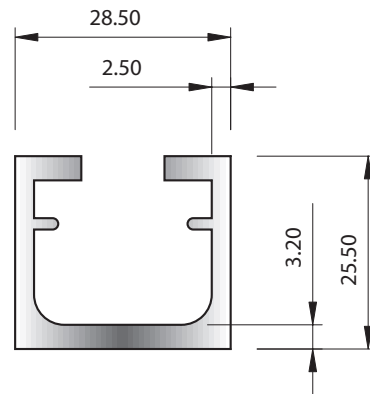
SECTION No. 35242  
1.346 kg/m  
P = 503.49



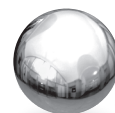
# Signs Group Misc 3.1.2



SECTION No. 0656  
1.180 kg/m  
P = 223



SECTION No. 9372  
0.698 kg/m  
P = 186



McKechnie®  
Transforming Aluminium

# Signs Group Misc 3.1.3

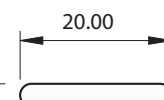
SECTION No. N990

2.200 kg/m  
P = 508.64



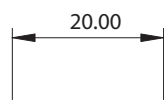
SECTION No. 4584

2.330 kg/m  
P = 491.20



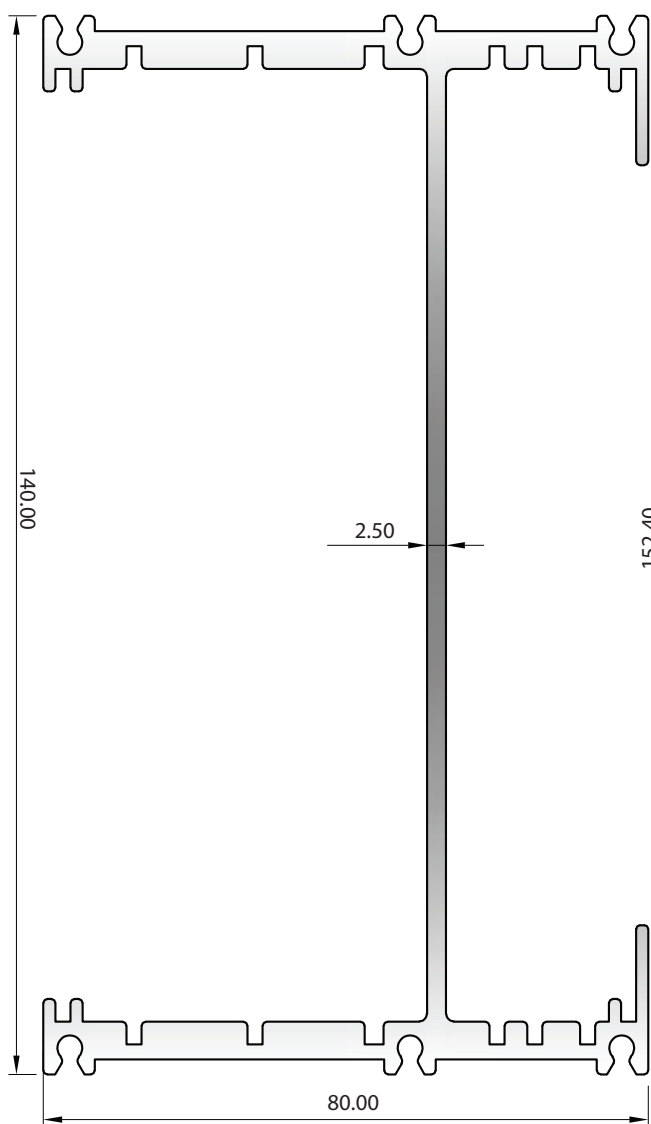
SECTION No. 2318

1.826 kg/m  
P = 364.14



SECTION No. 31182

2.992 kg/m  
P = 504.49



216.00

225.00

Signs Group Misc 3.1.3