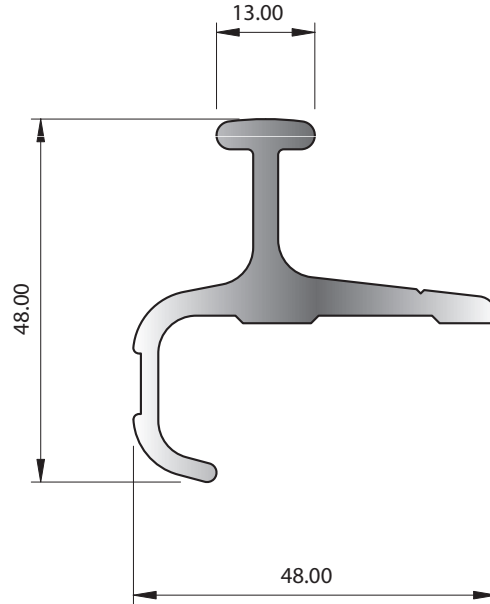


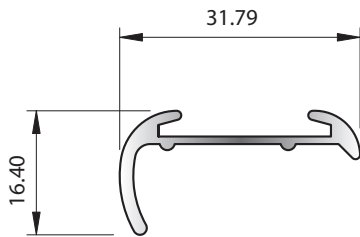


McKechnie®
Transforming Aluminium

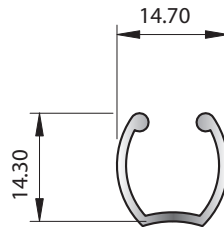
Marine Group 5.3.1



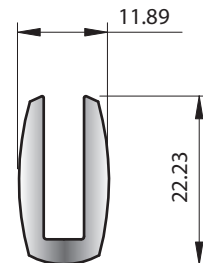
SECTION No. 7509
1.046 kg/m
P = 210.62



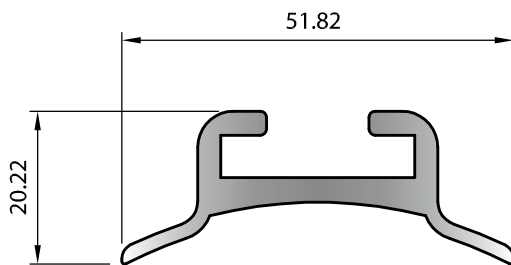
SECTION No. G348
0.216 kg/m
P = 111.53



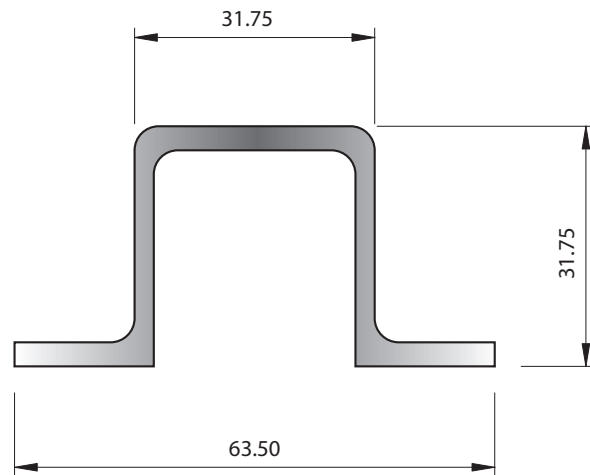
SECTION No. 4182
0.137 kg/m
P = 82



SECTION No. 1245
0.364 kg/m
P = 97



SECTION No. 2131
0.694 kg/m
P = 176.19



SECTION No. Z741
0.952 kg/m
P = 239.45

Marine Group 5.3.2



SECTION No. 4693A
1.562 kg/m
P = 367.72

Marine Group 5.3.3



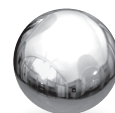
McKechnie®
Transforming Aluminium





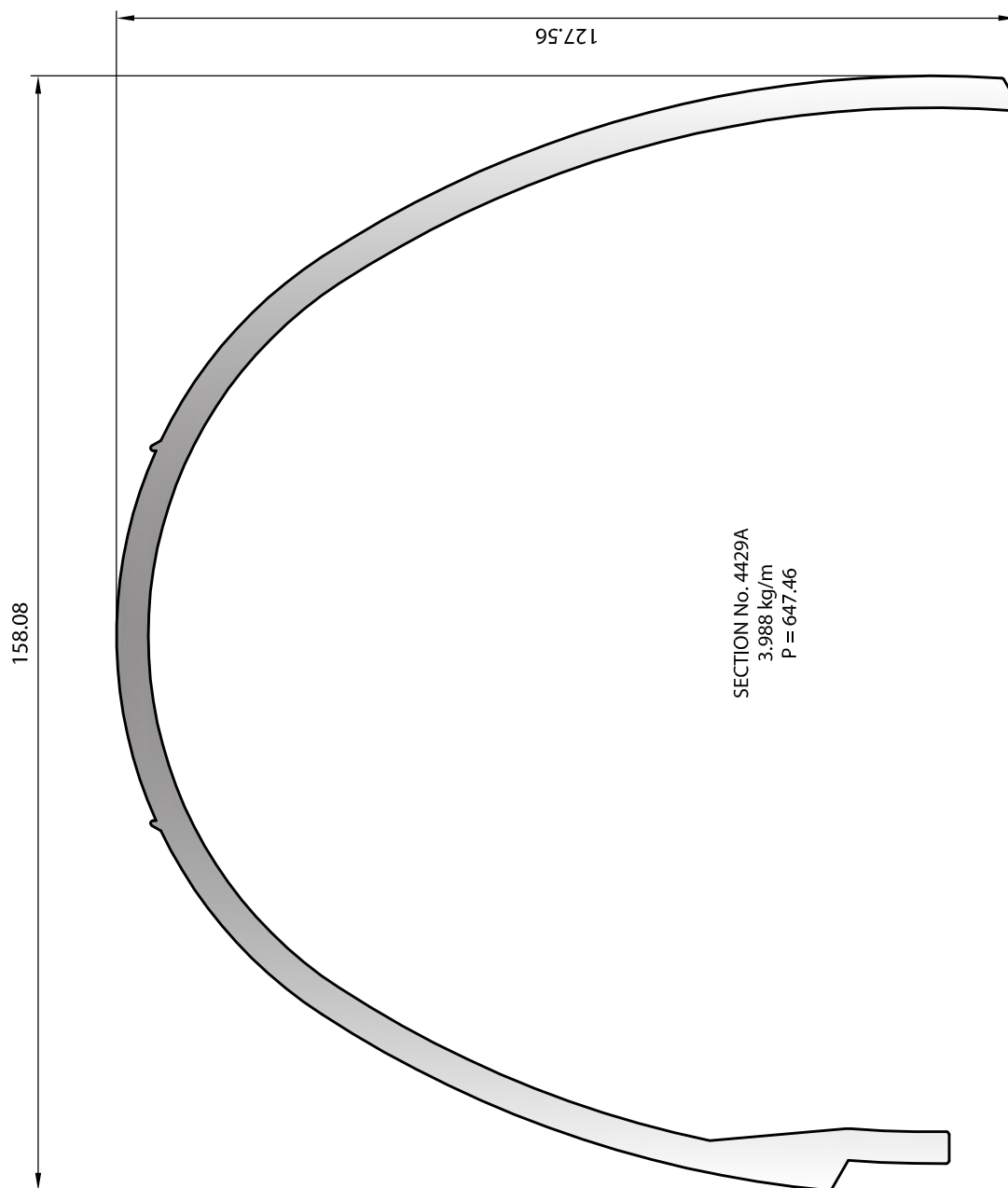
Marine Group 5.3.4





McKechnie®
Transforming Aluminium

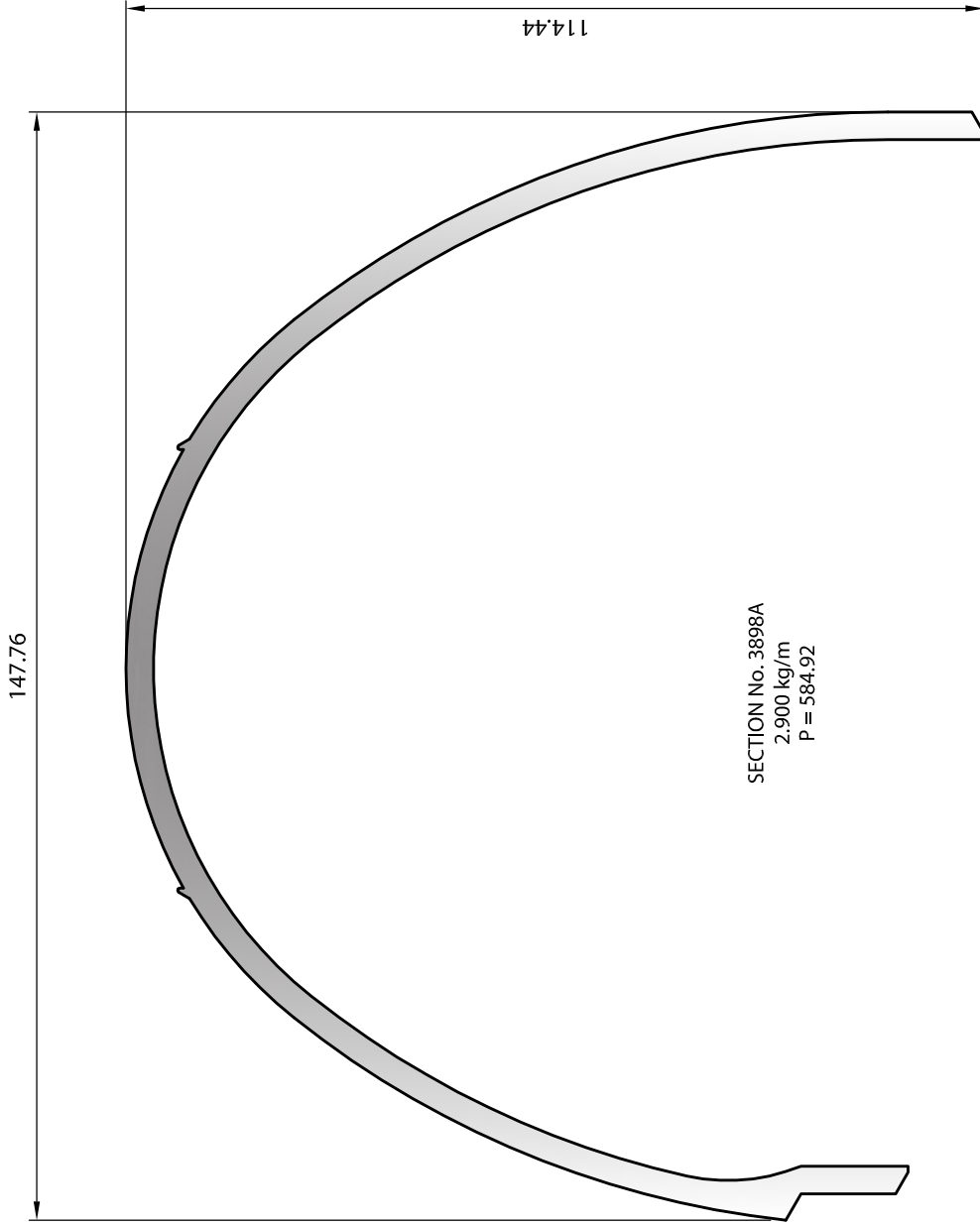
Marine Group 5.3.5





McKechnie®
Transforming Aluminium

Marine Group 5.3.6





McKechnie®
Transforming Aluminium

Marine Group 5.3.7

