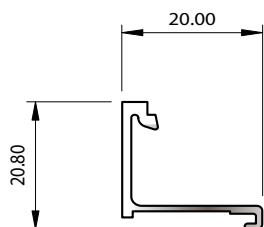


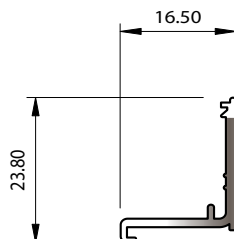
Retrofit Double Glazing

SECTION NUMBER	DESCRIPTION	MASS kg/m	OUTSIDE PERIM
34132	Sash	0.731	286.27
34244	Adaptor	0.501	222.81
34245	Bead	0.155	95.43
34461	Adaptor	0.426	220.09
34462	Adaptor	0.346	220.59
34463	Sash	0.744	271.28
34732	Bead	0.154	90.09
34733	Bead	0.132	88.11
34734	Bead	0.148	86.26
34735	Bead	0.209	130.26
34736	Bead	0.194	100.54
34737	Bead	0.184	100.21
36116	Bead	0.163	93.21
36118	Bead	0.137	85.96
36119-A	Bead	0.154	103.20
36120	Bead	0.151	93.75
36483	Sash	0.718	285.67
38703	Sash	0.796	313.05
37864	Bead	0.274	178.09
37867	Bead	0.188	89.29
37999 *	Adaptor	0.333	173.66

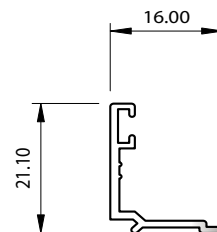
* Replaced Section 34006



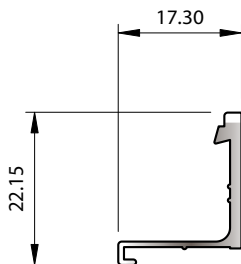
SECTION No. 34245
0.155 kg/m
P = 95.43



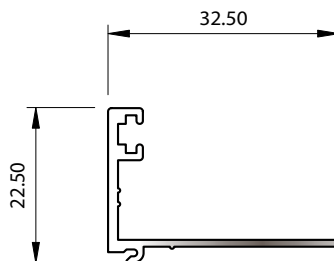
SECTION No. 34732
0.154 kg/m
P = 90.09



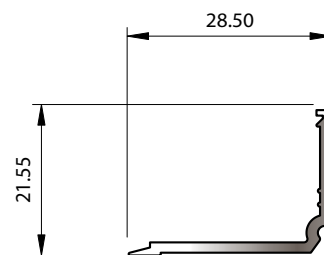
SECTION No. 34733
0.132 kg/m
P = 88.11



SECTION No. 34734
0.148 kg/m
P = 86.26

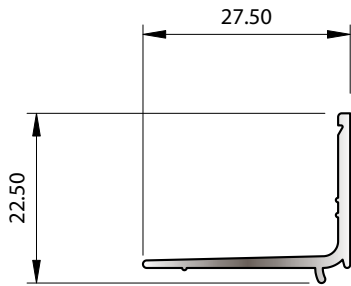


SECTION No. 34735
0.209 kg/m
P = 130.26

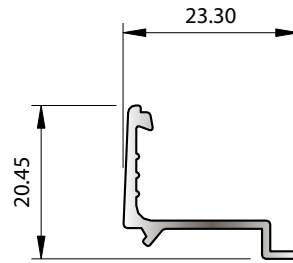


SECTION No. 34736
0.194 kg/m
P = 100.54

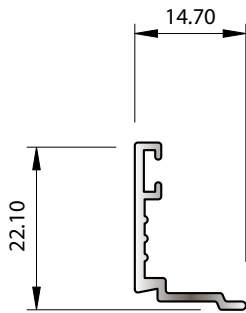
Retrofit Double Glazing



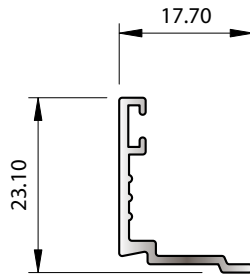
SECTION No. 34737
0.184 kg/m
P = 100.21



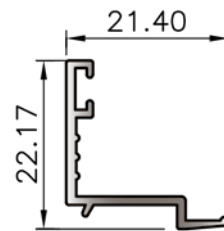
SECTION No. 36116
0.163 kg/m
P = 93.21



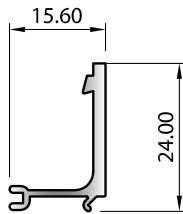
SECTION No. 36118
0.137 kg/m
P = 85.96



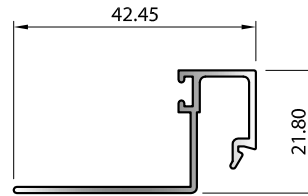
SECTION No. 36120
0.151 kg/m
P = 93.75



SECTION No. 36119A
0.154 kg/m
P = 103.20



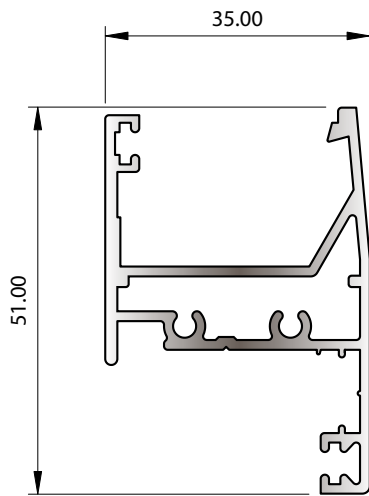
SECTION No. 37867
0.188 kg/m
P = 89.29



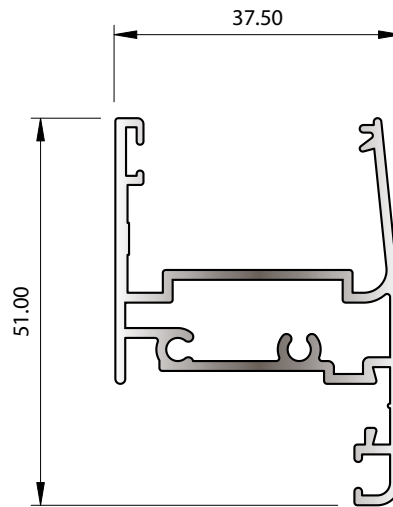
SECTION No. 37864
0.274 kg/m
P = 178.09

For NZ based customers. All lengths are stocked in 6060 T5 - mill finish - 5m lengths (unless specified)
All peripheries less than 100mm are deemed 100mm for surface finish purpose

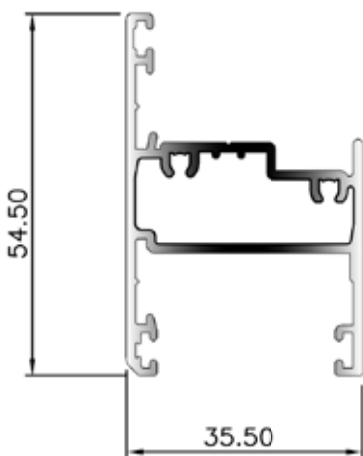
Retrofit Double Glazing



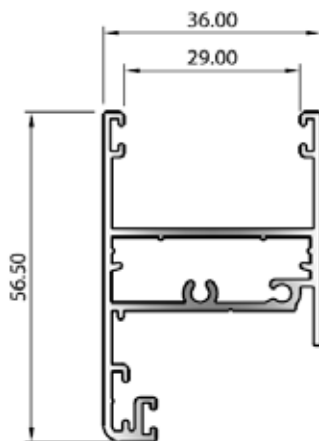
SECTION No. 34463
0.744 kg/m
P = 271.28



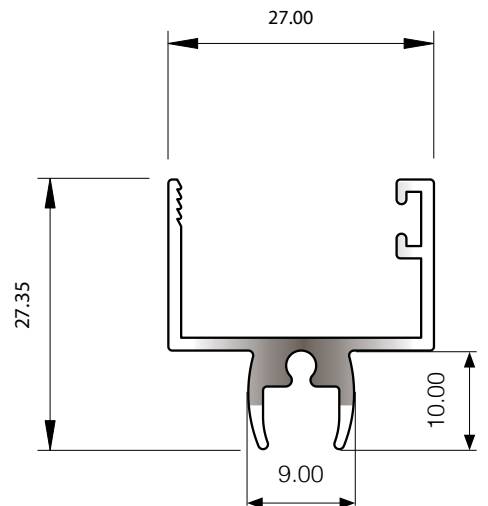
SECTION No. 34132
0.731 kg/m
P = 286.27



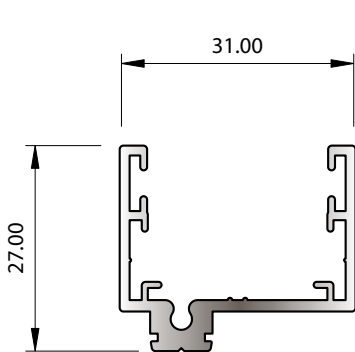
SECTION No. 36483
0.718 kg/m
P = 285.67



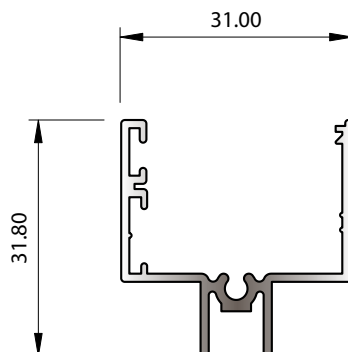
SECTION No. 38703
0.796 kg/m
P = 313.05



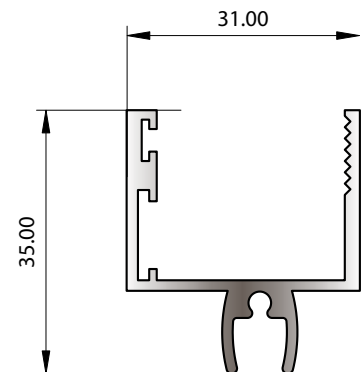
SECTION No. 37999
0.333 kg/m
P = 173.66



SECTION No. 34461
0.426 kg/m
P = 220.09



SECTION No. 34462
0.346 kg/m
P = 220.59



SECTION No. 34244
0.501 kg/m
P = 222.81

For NZ based customers. All lengths are stocked in 6060 T5 - mill finish - 5m lengths (unless specified)
All peripheries less than 100mm are deemed 100mm for surface finish purpose